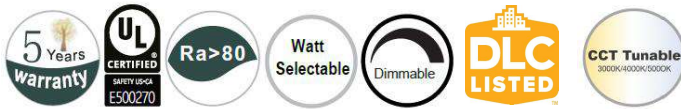


## Adjustable LED Wall Pack / CCT / Photocell

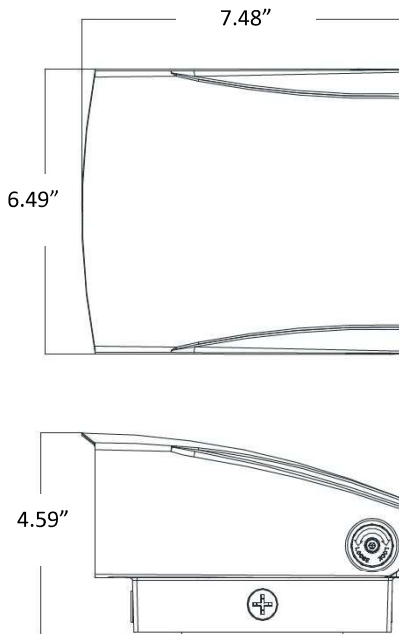


**Application:** Perfect commercial or industrial solution for outdoor building facades, patios, driveways, walkways, decks, parking garages, and more applications

### Certification



### Dimension



### Specifications

Model	HYA-WPA-80W-TW3CCT
Wattage	80W/60W/45W Selectable
Dimming	0-10V
Lumen Output	5850-7800-10400Lm
Input Voltage	AC100-277V 50/60Hz
CCT	3000K-4000K-5000K Selectable
CRI	Ra>80
Working Temperature	~-40°F ~+122°F / ~-40°C ~+50°C
Environment Location	WET LOCATIONS (IP65)
Driver Surge protection	L/N-PE: 6kV, L-N: 6kV
Life Span	Lumen Maintenance over 70% @ 50,000+ Hours
Lamp Shell	Architectural Bronze
Accessories Option	<b>PC:</b> Photocell Control Pre-Installed
DLC ID	S-B51R62
PCS/BOX	4
Master Box Dimension	17.0"x9.31"x13.32"
Master Box Weight	24.86LB

### Photometric

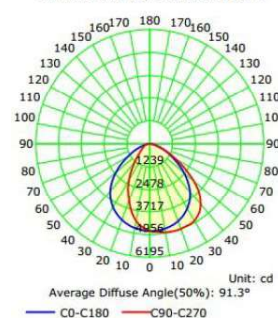
#### Luminaire Property

Luminaire Manufacturer:	Luminaire Description:
Luminaire Category:	Lamp Description:
Lamp Catalog:	Lumens per Lamp:
Number of Lamps:	Luminous Length (mm):
Luminous Length (mm):	Luminous Width (mm):
Luminous Height (mm):	Voltage: 120.0 V
Current: 0.671 A	Power: 80.09 W
Power Factor: 0.994	

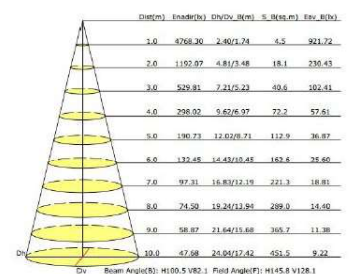
#### Photometric Results

IES Classification: Type II	Longitudinal Classification: Very Short
Total Rated Lamp Lumens: 10598.3 lm	Measurement Flux: 10598.3 lm
Efficiency: 100%	Downward Ratio: 100%
Upward Ratio: 0%	Luminaire Efficacy Rating (LER): 132.38
C0r0 Intensity: 4768.3 cd	Max. Intensity: 4956.4 cd
Pos of Max. Intensity: H90 V18	
Beam Angle(C0/C180,C90/C270,C45/C225,C135/315): 100.5, 82.1, 91.6, 90.5	

Luminous Intensity Distribution Curve



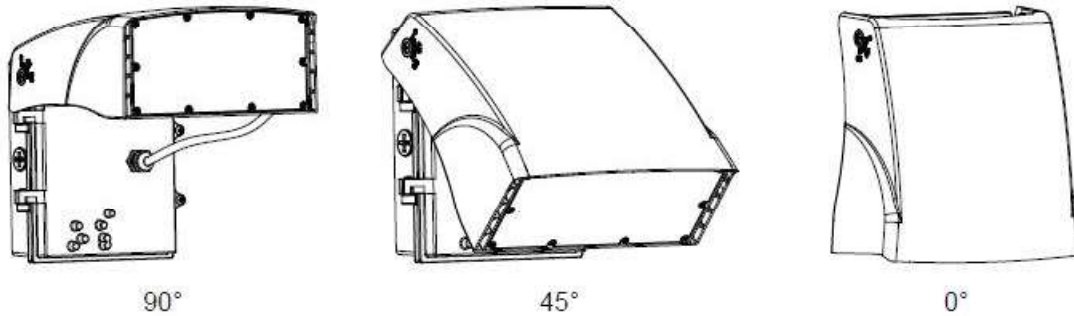
Illuminance at a Distance



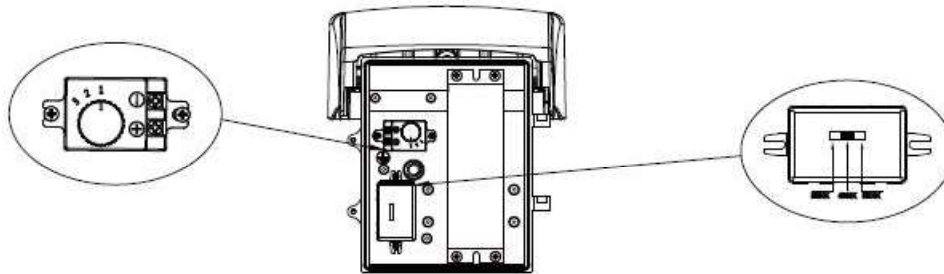
**LED Adjustable Full Cut Off Wall Pack**
**Standard wire:**

L/live wire: Black\Brown;  
 N/null wire: White\Blue;  
 Ground wire: Green\Yellow-green.

Note: To meet the requirements of DLC certification, lamps are limited to the same side of the light-emitting use, not in different directions of irradiation use (as shown below)


**CCT & Wattage adjustment instruction**

- 1, After the fixture is fixed(Step 9), adjust the CCT via a controlling switch as per your demand, with 3000K/ 4000K/ 5000K optional, as shown in below picture;
- 2, After the fixture is fixed(Step 9), adjust the wattage via a controlling knob as per your demand, with 3 settings optional, as shown in below picture;


**Warning/Advertisement:**

MIN 90°C SUPPLY CONDUCTORS

THIS PRODUCT MUST BE INSTALLED IN ACCORDANCE WITH THE APPLICABLE INSTALLATION CODE BY A PERSON FAMILIAR WITH THE CONSTRUCTION AND OPERATION OF THE PRODUCT AND THE HAZARDS INVOLVED

LES FILS D'ALIMENTATION 90 °C MIN

CE PRODUIT DOIT ÊTRE INSTALLÉ SELON LE CODE D'INSTALLATION PERTINENT, PAR UNE PERSONNE QUI CONNAÎT BIEN LE PRODUIT ET SON FONCTIONNEMENT AINSI QUE LES RISQUES INHÉRENTS.