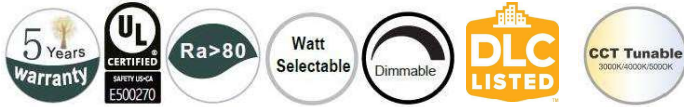


LED Emergency Wall Pack Fixture



Application: Perfect commercial or industrial solution for entrance lighting, courtyard lighting, Outdoor landscape lighting, wall lighting area and more applications

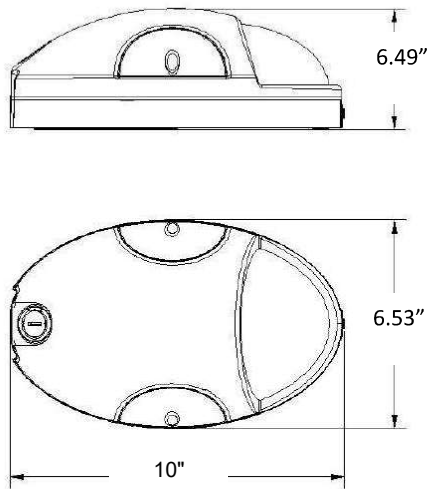
Certification



Feature

- 24-hour backup battery recharge time and over 90-min. emergency operation during a power outage
- Non-yellowing and durable polycarbonate lens
- Type IV light distribution pattern and 100° Beam angle

Dimension



Specifications

Model	RYA-MWP-15W-EM-35/40/50(PC)
Wattage	15W
Dimming	0-10V
Lumen Output	1800 lm (620lm at EM Mode)
Input Voltage	AC100-277V 50/60Hz
CCT	3500K-4000K-5000K Selectable
CRI	Ra>80
Working Temperature	~32°F ~+113°F / ~0°C ~+45°C
Environment Location	WET LOCATIONS (IP65)
Driver Surge protection	L/N-PE: 2.5kV, L-N: 2.5kV
Life Span	Lumen Maintenance over 70% @ 50,000+ Hours
Lamp Shell	Dark Bronze
Accessories Option	PC: Integrated dusk-to-dawn photocell
DLC ID	S-JYCLH4
PCS/BOX	10
Master Box Dimension	20.9"x14.17"x11.6"
Master Box Weight	32.18 LB

Photometric

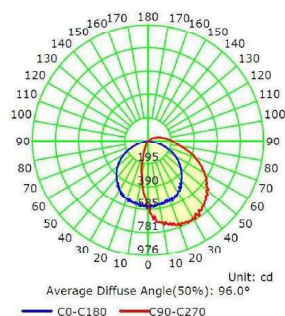
Luminaire Property

<p>Luminaire Manufacturer: Luminaire Category: Lamp Catalog: Number of Lamps: Luminous Length (mm): Luminous Height (mm): Current: 0.113 A Power Factor: 0.987</p>	<p>Luminaire Description: Lamp Description: Lumens per Lamp: Luminous Width (mm): Voltage: 120.0 V Power: 13.35 W</p>
--	---

Photometric Results

<p>IES Classification: Type IV Total Rated Lamp Lumens: 1740.0 lm Efficiency: 100% Upward Ratio: 8% C0r0 Intensity: 557.43 cd Pos of Max. Intensity: H90 V31</p>	<p>Longitudinal Classification: Very Short Measurement Flux: 1740 lm Downward Ratio: 92% Luminaire Efficacy Rating (LER): 130.39 Max. Intensity: 781.05 cd</p>
--	--

Luminous Intensity Distribution Curve



The Average Illuminance Effective Figure

