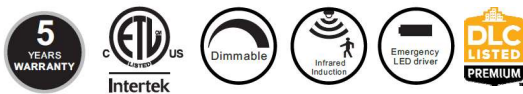




Rayco High Bay Linear with 3CCT and Selectable Wattage



Application: factories, warehouses, packaging and distribution facilities, manufacturing plants, retail spaces, gymnasiums, and other large, high ceiling spaces.

ACCESSORIES (Included)

Image	Description
	Hook
	Chain

FEATURE

- LED linear high bay lights offer a replacement for traditional fluorescents as well as metal-halide high bays
- Working temperature: -40°-122° F (-40°-50° C)
- IP20 rated and suitable for damp locations
- Lumen Maintenance over 70% @ 50,000+ Hours
- Beam Angle: 110°
- Body: White Finish. Aluminum Heatsink for Efficient Heat Dissipation
- Frosted/prismatic (varies by model) PMMA lens for smooth 5000K light diffusion

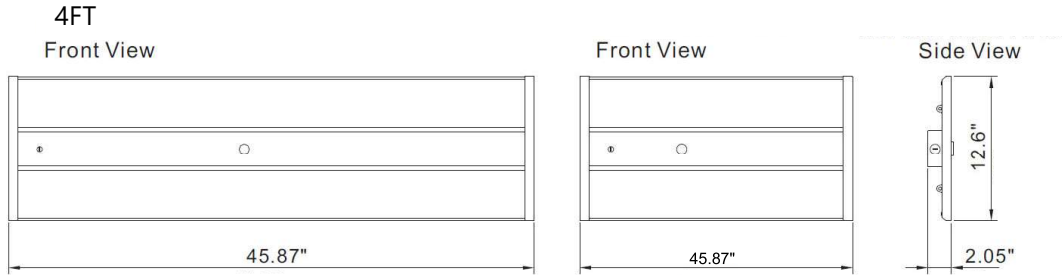
ORDERING GUIDE

Model No				RY-LHB-220W4FT-3W3CCT
Length				4FT
Watt				220/190/160W
CCT	3500-4000-5000K Selectable			
CRI	>80			
Power Factor	≥0.9			
Lumens				30800lm @220W
Mounting Height				16-26ft
Dimmable	0-10V			
Voltage	AC 120-277V			

OPTION ORDERING GUIDE

Model No				RY-LHB-220W4FT-3W3CCT
Wire Guard				ACCS-LHB-WG-4FT
Motion Sensor (Max 40ft)	ANT-5-4T/ANT-6-4T/HD09VR-PH-1: ON/Off or Bi Level and Daylight Harvesting; HD09VR-PHB-1: Bluetooth			
Motion Sensor (Max 50ft)	HD09VR-MH-1: Microwave, ON/Off or Bi Level and Daylight Harvesting			
Emergency Driver				BLD-HM25D-480800 N/A

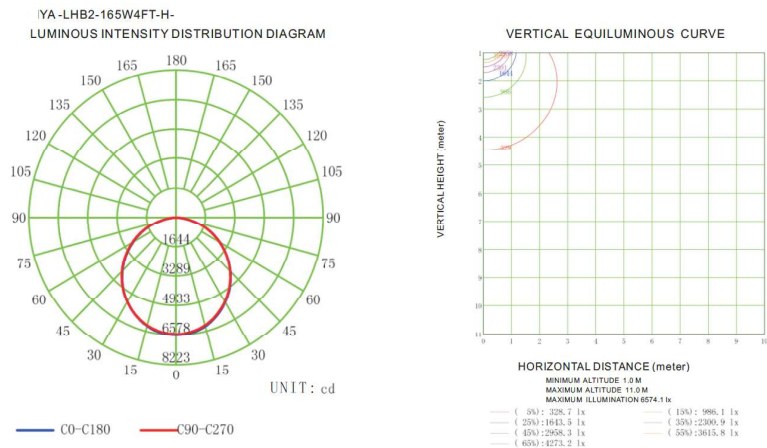
DIMENSION



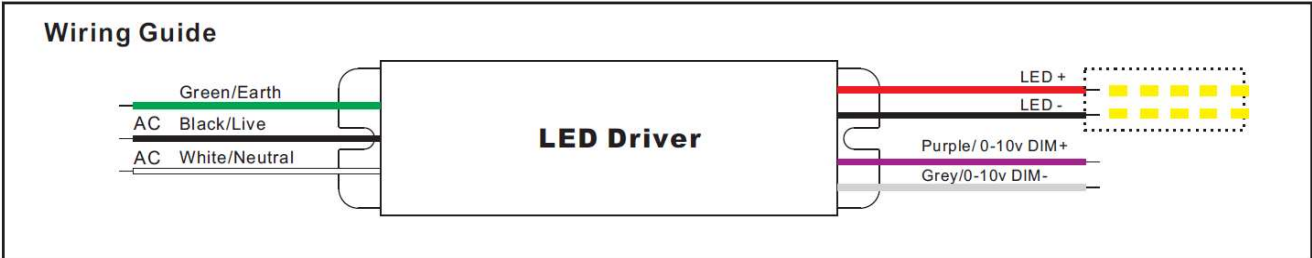
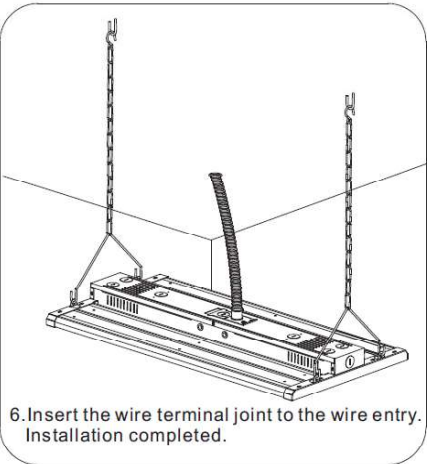
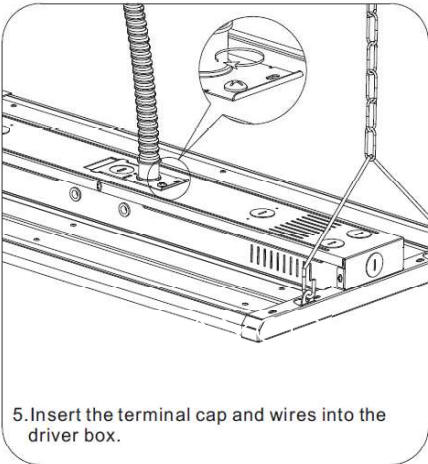
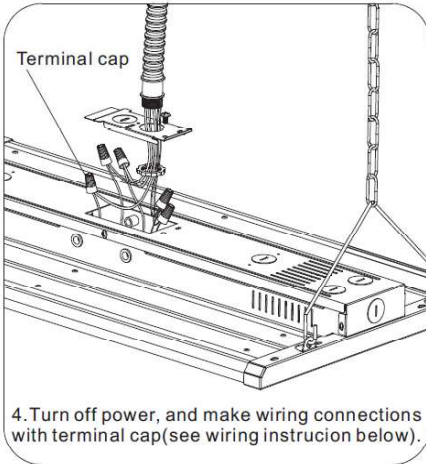
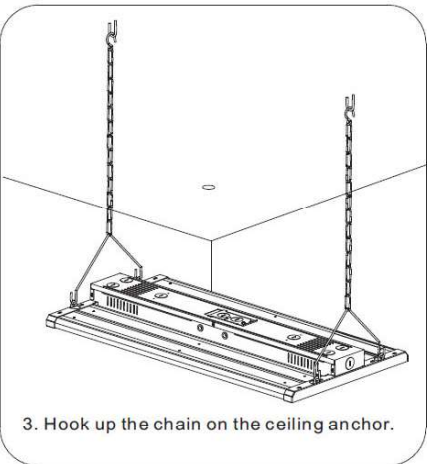
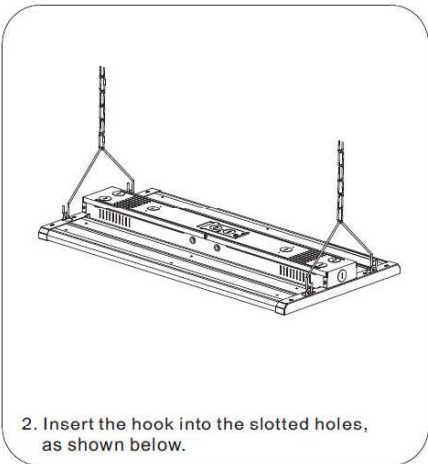
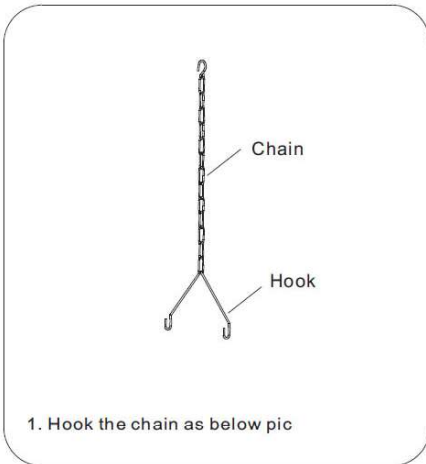
PACKAGE INFO

Model. No.				
Size				4FT
QTY/PACK	2PCS/PACK			
Package Size	25.98"X7.28"X15.47"		47.24"X7.28"X15.47"	
Package Weight	7.28kg/16.05 lbs		11.2 kg/24.6 lbs	
40GP Capacity	~2410PCS		~1320PCS	
40HQ Capacity	~2830PCS		~1550PCS	
45HQ Capacity	~3250PCS		~1780PCS	

PHOTOMETRIC REPORT



INSTALLATION



ANT-5-4T (Motion Sensor) Installation

