

LED SHOEBOX/ AREA LIGHT – AL 02 Series

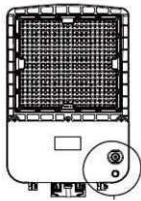


Application: commercial and industrial outdoor lighting, parking lots, buildings, building facades, storage yards, parks and so on.

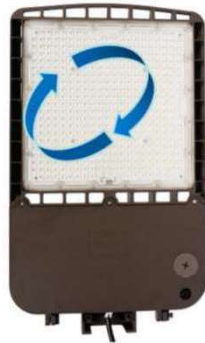
Certification



Flexible Feature



Rotatable Lens



Feature

- High efficiency LED Driver, the wide range input voltage AC120-277V\
- Surge protection: 6KV.
- Cast aluminium design, better cooling and easy replacement, light quality, LEDTj<185 °F
- Excellent optical design, greatly improve the light utilization
- Photocell Control & PIR motion sensor Available
- 1-10V Dimming

Mounting Bracket

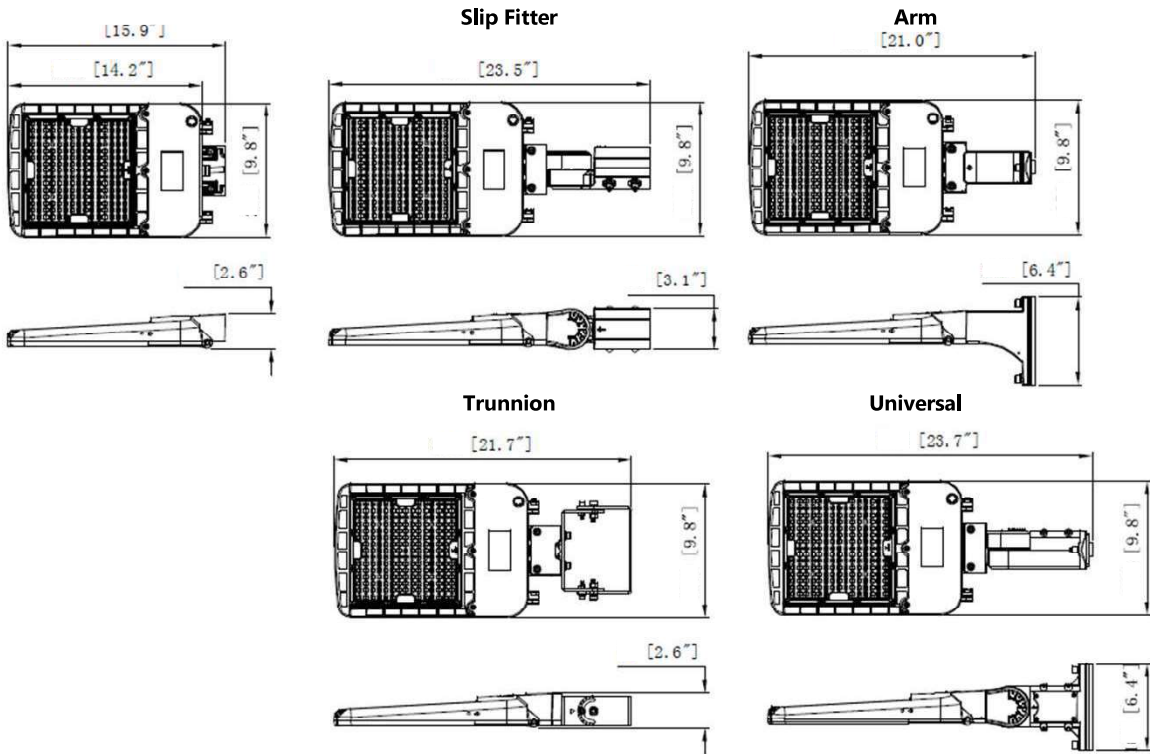
SF Slip Fitter		Arm Fixed Arm Bracket	
T Trunnion		Universal Adjustable Arm with Pole Hole	

Specifications	150W	200W	300W
Model	AR-SL102-150W	AR-SL102-200W	AR-SL02-300W
Wattage	150W	200W	300W
Input Current	1.65A Max	2.2A Max	3.3A Max
Lumen Output	21000lm	28000lm	42000lm
Input Voltage	AC100-277V 50/60Hz		
Lighting Angle	Type III		
Lighting Efficiency	130 Lm/W		
Color Rendering Index	Ra>80		
Color Temperature	5000K		
Environment Location	WET LOCATIONS (IP65)		
Power Factor	> 0.9		
Life Span	Lumen Maintenance over 70% @ 50,000+ Hours (5-year limited warranty)		
Lamp Shell	Dark Bronze		
Accessories Option	PC: Photocell Control / MS: PIR Motion Sensor		

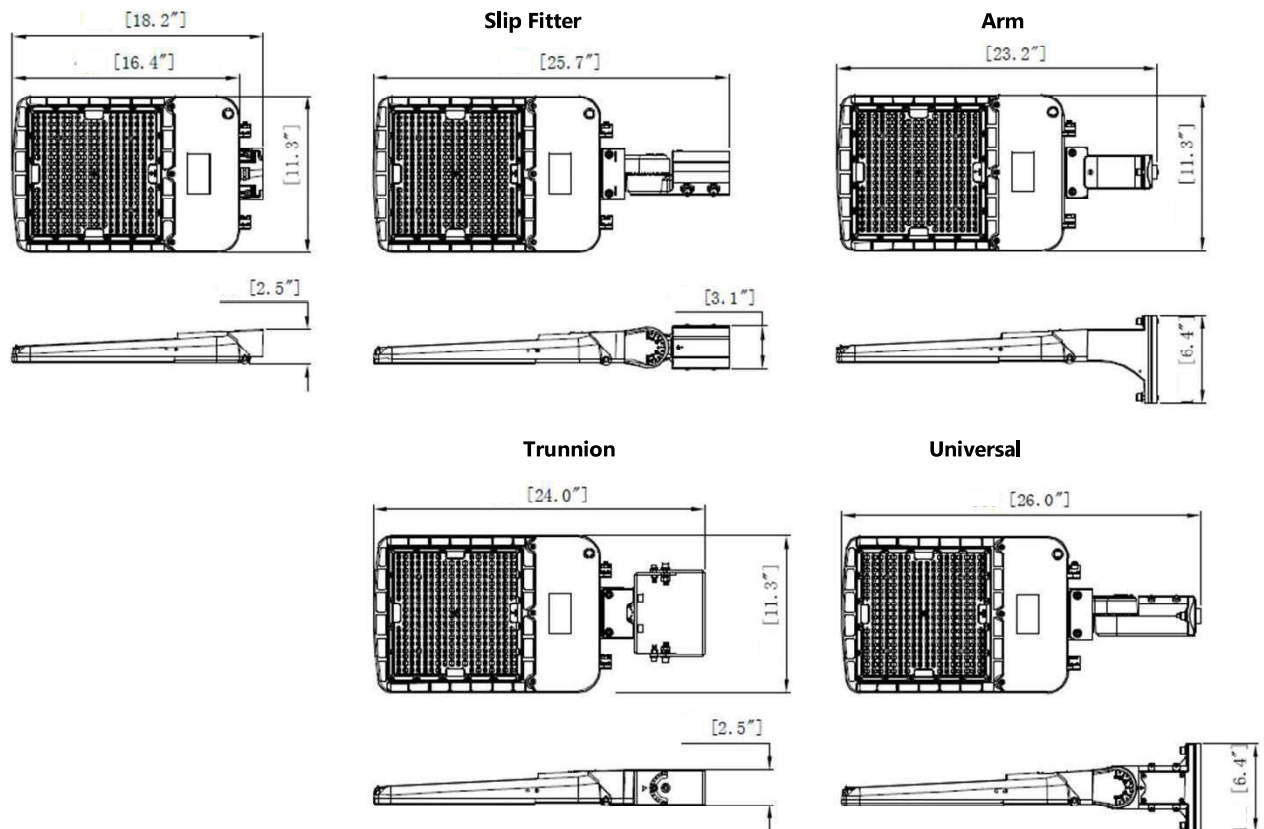
LED SHOEBOX/ AREA LIGHT – AL 02 Series

Dimension

AR-SL102-150W-X-XXK



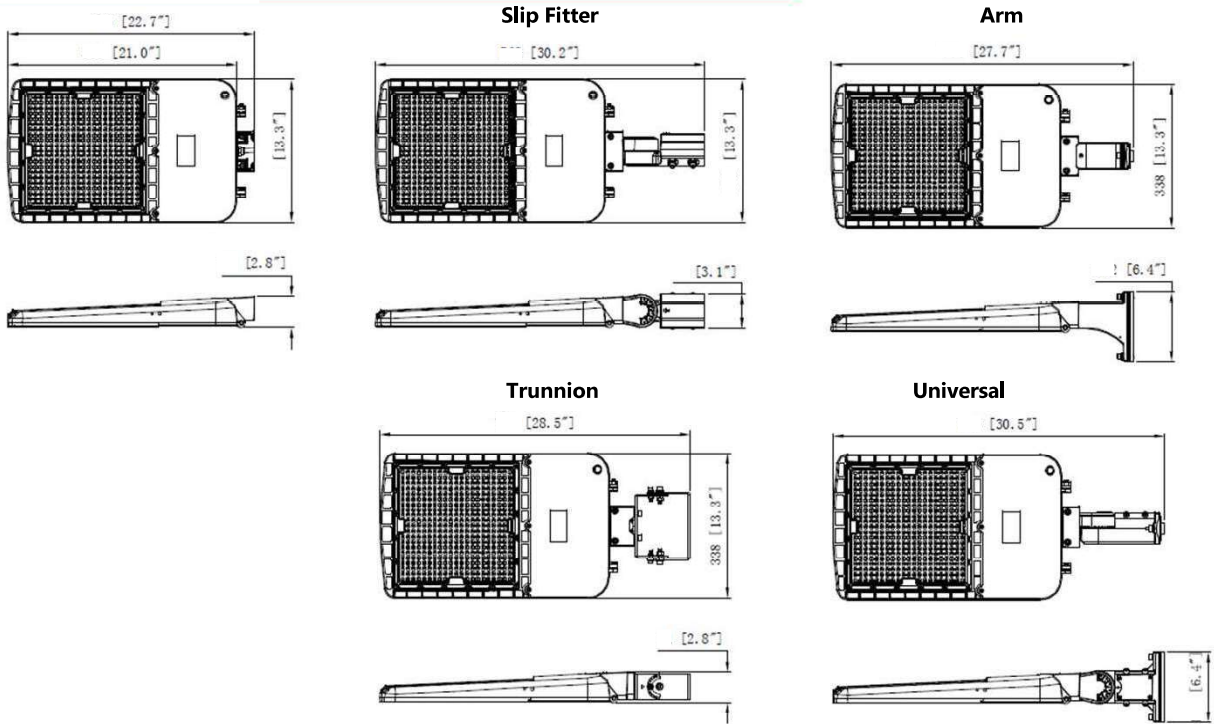
AR-SL02-200W-X-XXK



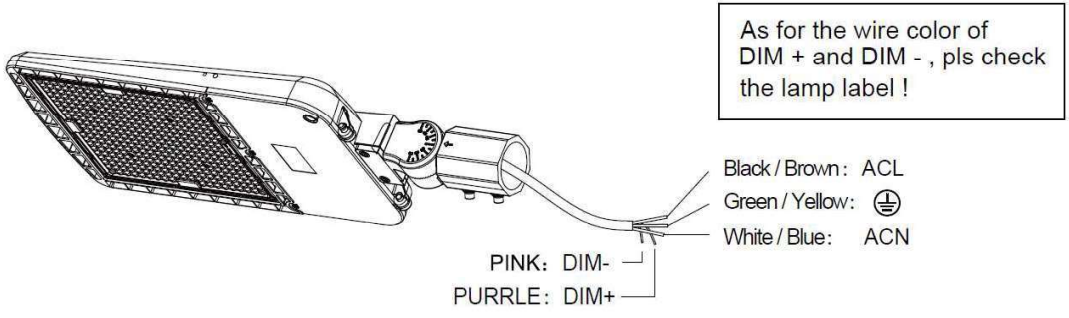
LED SHOEBOX/ AREA LIGHT – AL 02 Series

Dimension

AR-SL02-300W-X-XXK

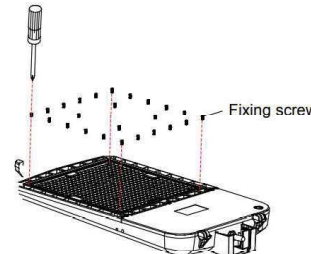


Installation



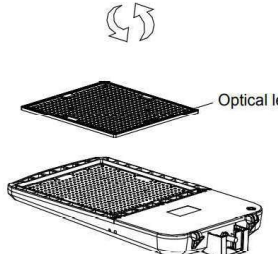
Operation Instruction of Rotating Optical Lens

Step 1. First loosen the screws on the lens screws (total 24PCS), as shown in the figure;



Fixing screw

Step 2. Remove the optical lens, rotate it clockwise or counterclockwise to a desired angle, as shown in the figure;



Optical lens

Step 3. Put back the adjusted optical lens, lock screws back, as shown in the figure.

