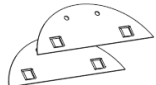




ALFA 4FT LINEAR LIGHT WITH ADJUSTABLE LUMEN & COLOR



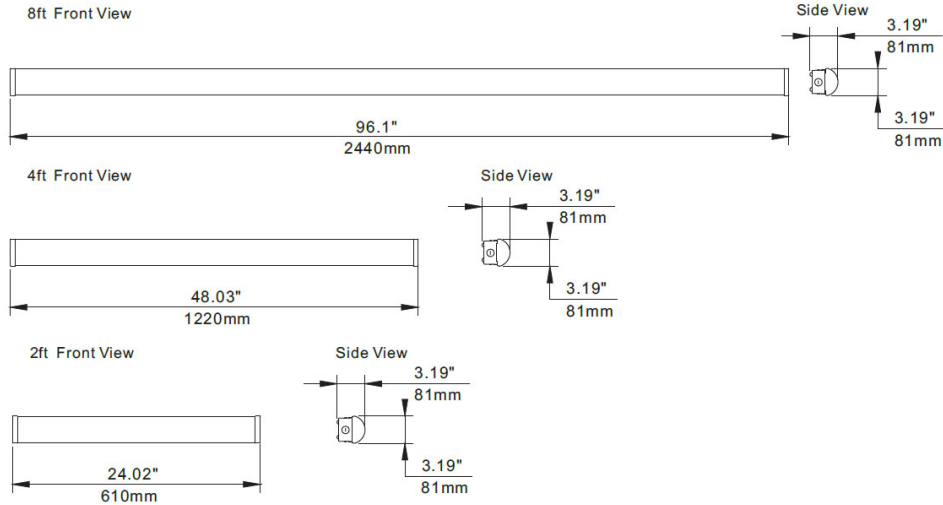
ACCESSORIES	
Image	Description
	J-Box Mounting Plate (Included)
	Suspension Mount Kit (Included)
	Alignment Bracket (Sold Separately)

FEATURE
<ul style="list-style-type: none"> Working temperature: - 4°F ~+104°F / -20°C ~+40°C Suitable for damp location Lumen Maintenance over 70% @ 50,000+ Hours CRI: 80+; PF>0.9 Beam Angle: 120° Body: White Finish. Aluminum Heatsink for Efficient Heat Dissipation Linkable: with wire harness connection kit included for connecting power between fixtures. Low-profile design with PMMA lens gives even no glare light distribution Watt and CCT adjustable to fit for different locations With option of build-in motion sensor or emergency backup driver

ORDERING GUIDE							
Model	Length	Watt	CCT	Lumens	Dimmable	Voltage	Included
RY-4FT-LS100-3W3CCT	4ft	20w/30w/40w	3000K/4000K/5000K	2600/3900/5200	0-10V	120-277V	Bi-Level Motion Emergency Battery EM / Motion Sensor
RY-4FT-LS100-3W-3CCT-MS	4ft	20w/30w/40w	3000K/4000K/5000K	2600/3900/5200	0-10V	120-277V	
RY-4FT-LS100-3W-3CCT-EM	4ft	20w/30w/40w	3000K/4000K/5000K	2600/3900/5200	0-10V	120-277V	
RY-4FT-LS100-3W-3CCT-MS-EM	4ft	20w/30w/40w	3000K/4000K/5000K	2600/3900/5200	0-10V	120-277V	

OPTION SPEC						
Motion Sensor						
Model No.	Power Supply	Mounting Height	Dim Level	Daylight Control	Hold Time	Standby-by Time
ANT-3A	12V-24V DC	Max 13FT	0%/10%/30%/50%	10/30/50Lux	10s/1M/5M/15M	Infinite/1Min/30Min/60Min
Emergency Driver						
Model No.	Input Voltage	Emergency Time	Output Current and Voltage	Output Power		
BLD-CM20E-480800-8W	100 277Vac	≥1.5H	160-320mA 25 48Vdc	8W		

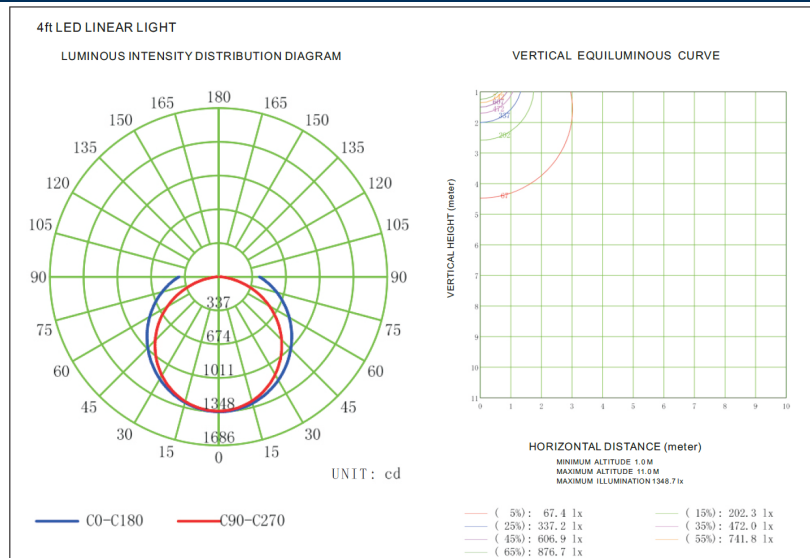
DIMENSIONS FOR ALFA FIXTURES



PACKAGE INFO

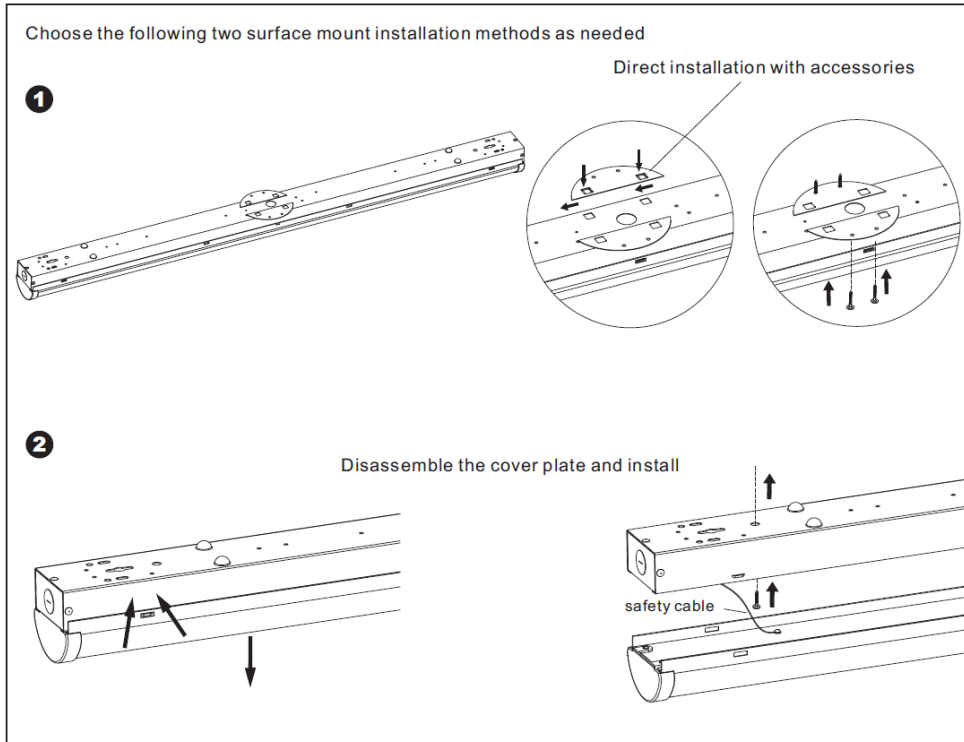
Model. No.	ALFA-2FT-LS100-20W-3CCT	ALFA-4FT-LS100-3W3CCT	ALFA-8FT-LS100-3W3CCT
Size	2FT	4FT	8FT
QTY/PACK	4PCS/PACK		
Package Size	640X190X195mm 25.2"X7.48"X7.68"	1285X190X195mm 50.59"X7.48"X7.68"	2505X190X195mm 98.62"X7.48"X7.68"
Package Weight	4.5kg/21.83 lbs	9.9kg/21.83 lbs	18.6kg/41.01 lbs
Package CBM	0.023712	0.047609	0.09281
40GP Capacity	~9780PCS	~4870PCS	~2490PCS
40HQ Capacity	~11470PCS	~5710PCS	~2930PCS
45HQ Capacity	~13150PCS	~6550PCS	~3360PCS

PHOTOMETRIC REPORT

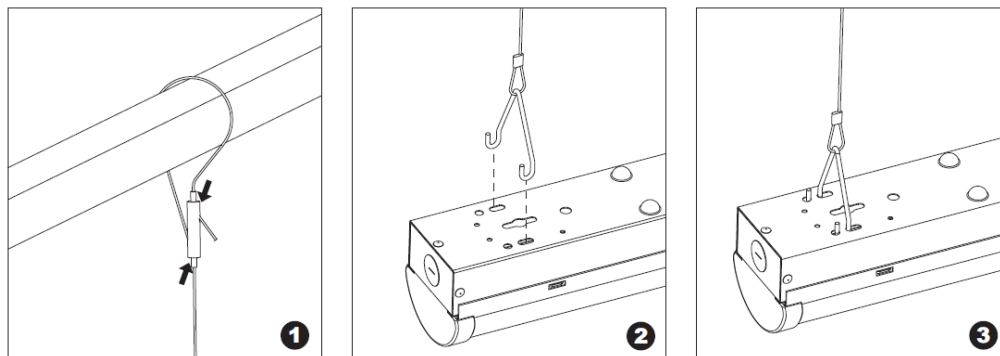


INSTALLATION

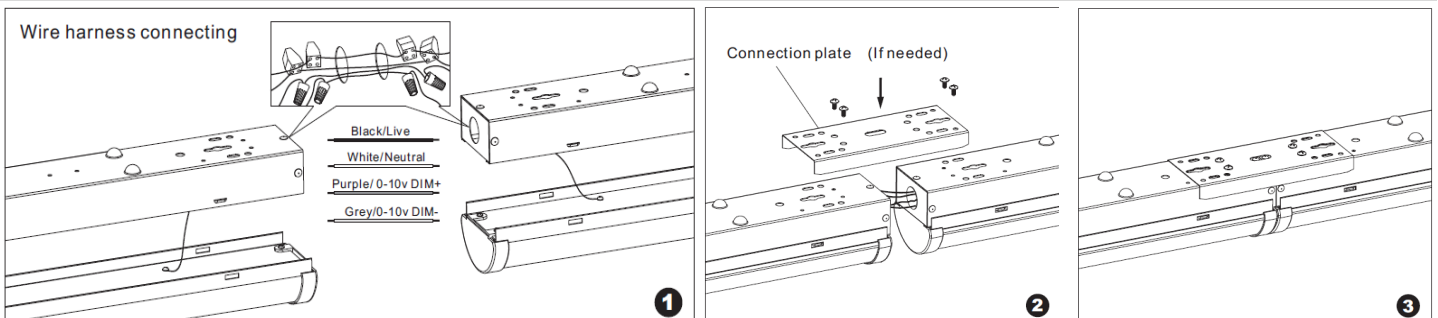
Surface Mount Installation



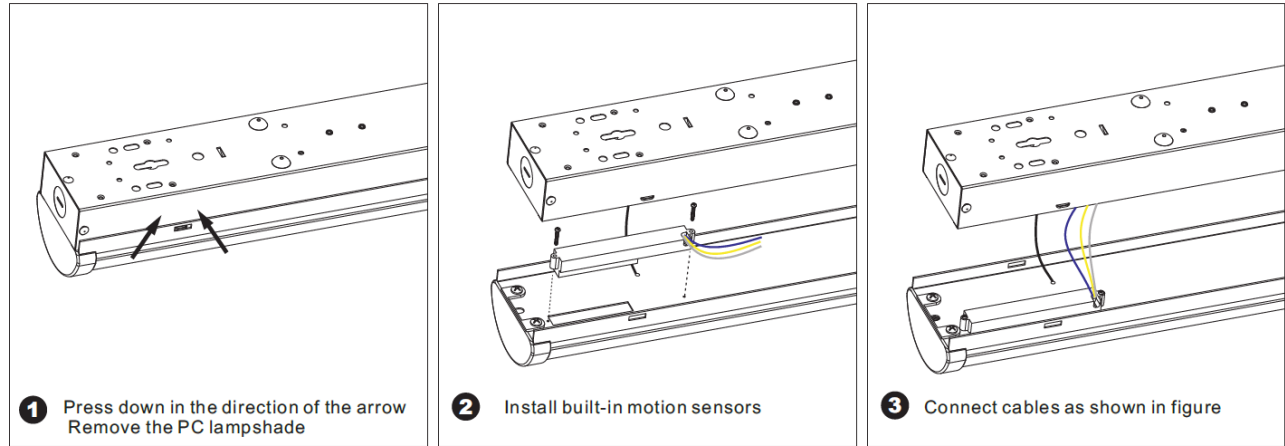
Suspension Installation



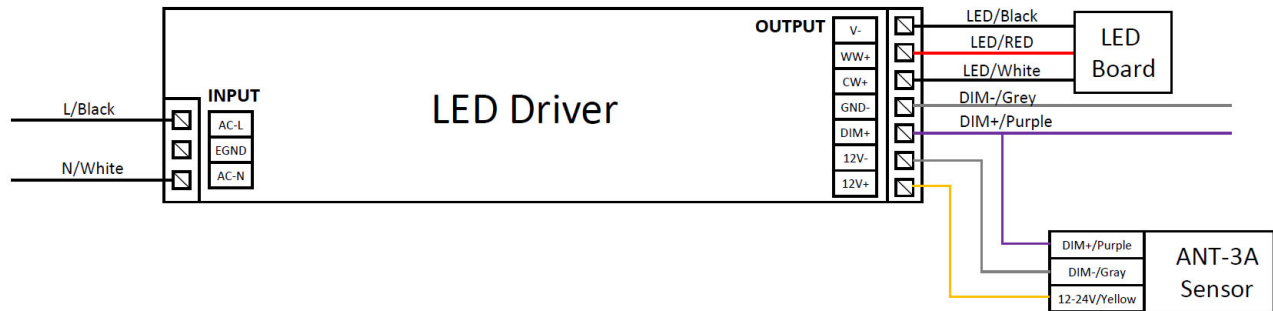
Connection Installation



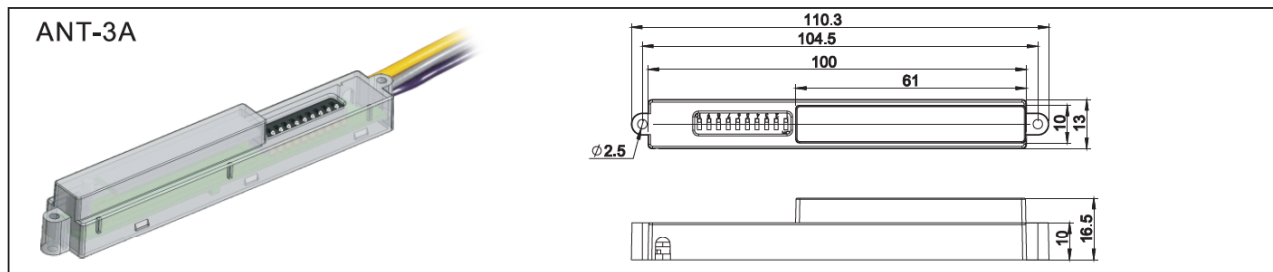
Build-In Motion Sensor Information



WIRING DIAGRAMS



BUILT-IN MOTION SENSOR INFORMATION



⚠ WARNING

NOTE: Warm up time is 15seconds. After the sensor connects input power first time, the light will keep on 15 seconds, then go to dimming to work normally.

NOTE: Factory Default Setting: 100% sensitivity, Hold on time: 10seconds, Daylight sensor is 30lux, Dimming level:30%, Dimming time: 60minutes.

NOTE: Any setting changed by DIP Switch or remote control, the led light that sensor connect will on/off as confirm.

SPECIFICATIONS

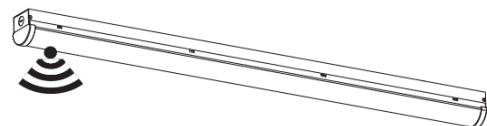
Power supply	12V~24V DC, >50mA
HF System	5.8GHz±75MHz
Dim control output	0-10V, max. 25mA sinking current
Detection radius/angle	Max 17ft.(5.2m)/360°
Mounting height	Max 13ft(4m)
Remote range	50ft. (15m) indoor, no backlight
Humidity	Max. 95% RH
Temperature	-40°F ~ 158°F (-40°C ~ 70°C)

PARAMETER SETTING BY DIP SWITCH

Consider the picture: 1, 2 set sensitivity; 3, 4 set hold time; 5, 6 set the lux; 7, 8 stand-by light level 9, 10 set stand-by time;

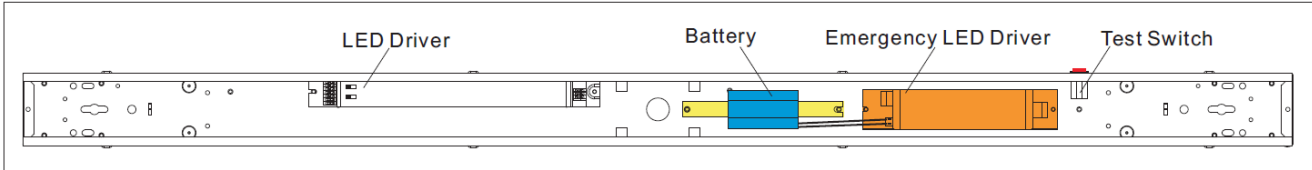


For detailed adjustment methods, please refer to the ANT-3A instruction manual

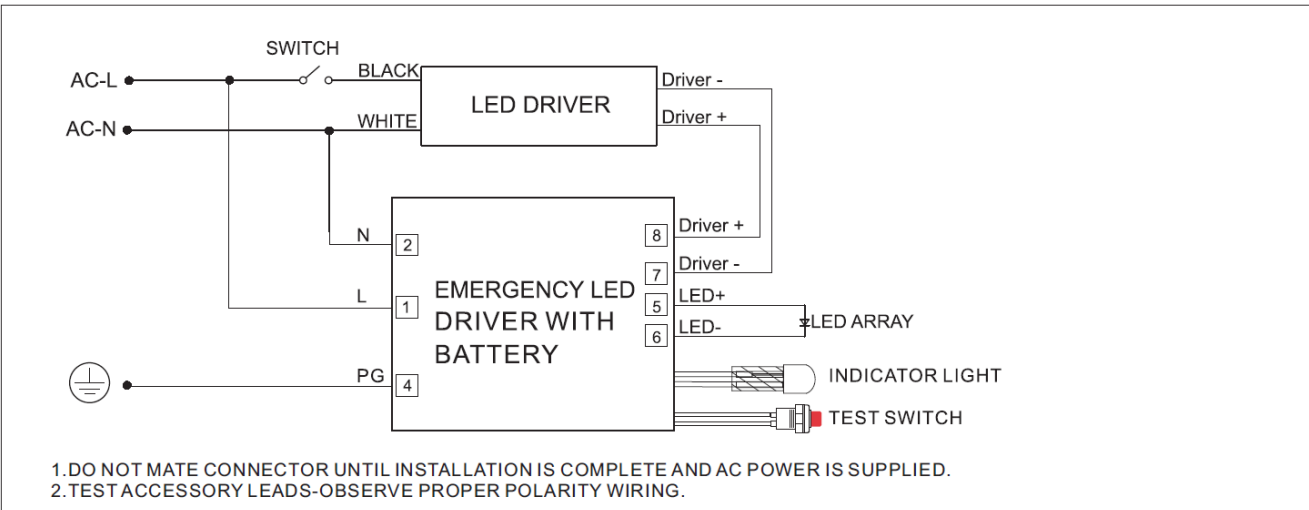


Build-In Emergency Information

EMERGENCY LED DRIVER INSTALLATION POSITION



WIRING DIAGRAM



EMERGENCY LED DRIVER INFORMATION

Specifications:



Specifications:

Universal Input Voltage	100 277Vac 50 60Hz
AC Input Current	100mA max.
AC Input Power Rating	7.0W max.
Output Current and Voltage	160-320mA 25 48Vdc
Output Power	8W
Emergency Time	≥1.5H
Full Warranty	5 Years
Test Switch Indicator Light	Illuminated Test Switch, indicator Light
Battery	Li-ion battery-7.4V/2500mAH
Battery Charging Current	250mA
Charging Time	≥24Hours
Temperature Rating (Ambient)	Li-ion 0°C to +40°C (32°F to 104°F)

AC Operation:

AC power is present, The LED load from the LED driver is normal power supply, AC LED driver output current can not exceed 150W or 4A, the emergency driver is charging in a standby mode, The green LED light on to indicate that it is charging.

Emergency operation:

When the AC power goes out, The emergency driver detects the AC power outage and automatically switch to the working emergency mode. The green LED off. When the AC power is restored, the emergency driver backs to AC power working and starts re-charging, the green LED light on.

Dimensions:

Case-7.4"x1.5"x1.14"(mounting center-7.0")
Battery 6.1"x1.57"(mounting center-5.66")

