

OUTDOOR SCNCE WITH SELECTABLE WATTAGE /3CCT /PHOTOCELL



PEAK

RYA-WS-LS-1454-3W3CCT-BK



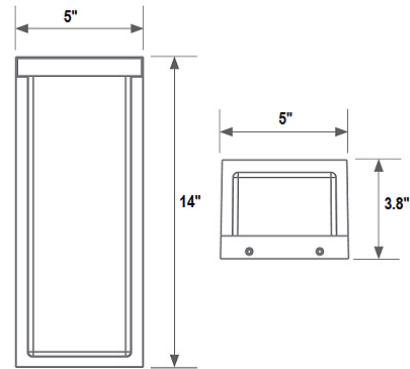
PROJECT

DESCRIPTION

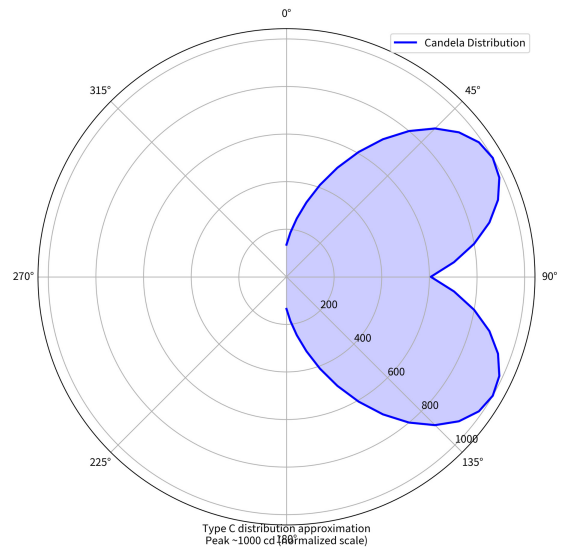
Outdoor high-lumen Peak wall sconces with adjustable wattage and 3 CCT (Correlated Color Temperature) options offer unparalleled versatility and performance in outdoor lighting design. These fixtures are engineered to provide exceptional brightness and visibility while allowing users to customize both the intensity and color temperature of the light output to suit their specific needs and preferences. With adjustable wattage, users can easily control the energy consumption and brightness level of the sconces, optimizing efficiency and reducing electricity costs. Additionally, the Peak availability of three CCT options—warm, neutral, and cool—enables users to create different ambiance and lighting effects to enhance the aesthetic appeal of outdoor spaces. Whether used for accent lighting, security lighting, or general illumination, these outdoor wall sconces elevate outdoor lighting design to new heights, offering unparalleled flexibility, performance, and style.

SPECIFICATION DETAILS

Dimensions	W5" x H14" x EX 4"
Light Source	AC LED Module
Power	18W -20W-22W
Total Lumens	2420lm
Delivered Lumens	2220LM
Input Voltage	110-277V
Color Temperature	Selectable CCT 3000K/4000K/5000K
CRI (Ra)	80+CRI
LED Rated Life	50,000 hours
Dimming	None
Diffuser Details	Frosted PC Diffuser
Beam Angle	125°
Mounting	Wall
Finish	Architectural Black
Illumination Direction	Diffused
Construction	Cast Aluminum + PC
Photocell	Pre installed
Standards	ETL Wet Locations IP66 JA8



Photometric Polar Diagram
Outdoor Wall Sconce 22W 5000K (~2420 lm)



COMMENT

