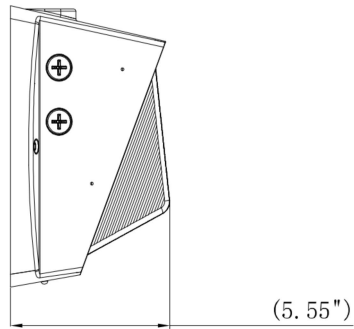
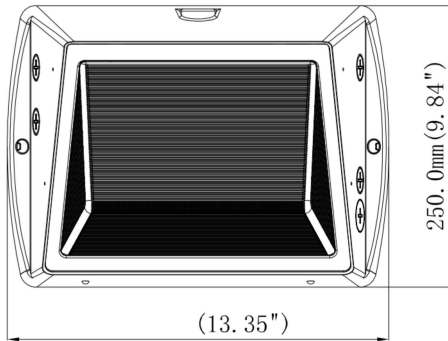
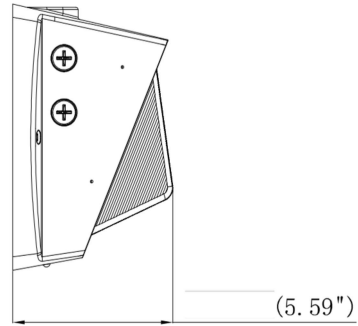
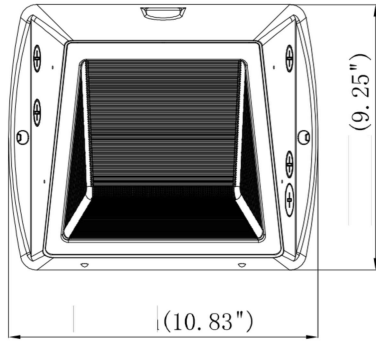


AMPLE-LED WALL PACK ADJUSTABLE WATTAGE/CCT



Product Dimension

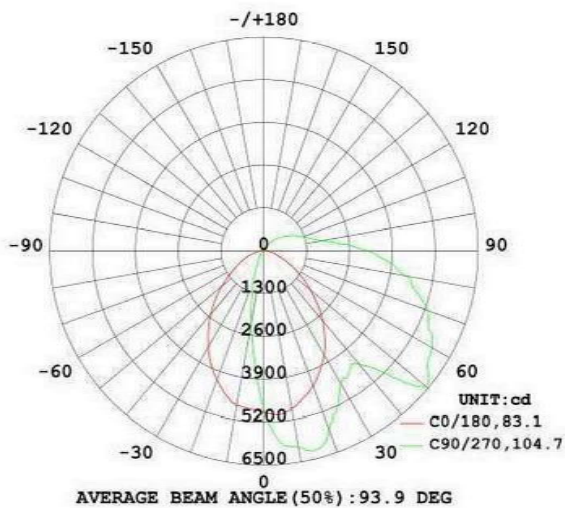


Lighting Parameters

AMPLE-WP16GM-120W-H-TCP		
Power		80W/100W/120W
Working Voltage		AC120-277V/120-347V
Wattage Adjustable		120-100-80W
Beam Angle		70*110°
Color Temperature		30/40/50K
lamp's Luminous Efficiency		> 120lm/W
Color Rendering Index		Ra > 70
Operating Temperature		-40°F ~ + 104°F
Storage Temperature		-40°F ~ + 158°F
Environment Location		Wet Location
Life-span		≥50000H
Materials		ADC12
The color of the lamp shell		Brown
Mounting		Bracket fixed

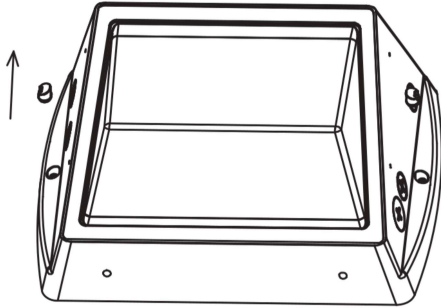
Optical Properties

LUMINOUS INTENSITY DISTRIBUTION DIAGRAM

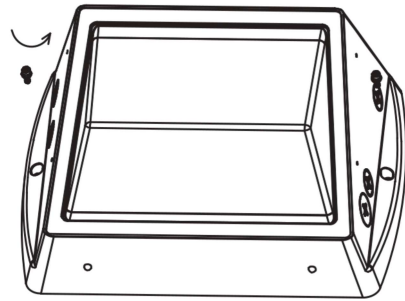


Installation Instruction

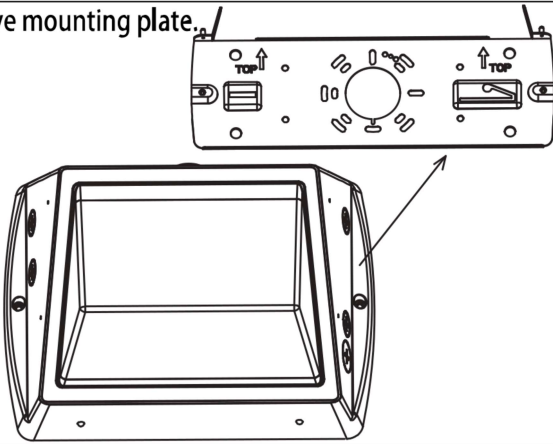
1.Remove the rubber plug.



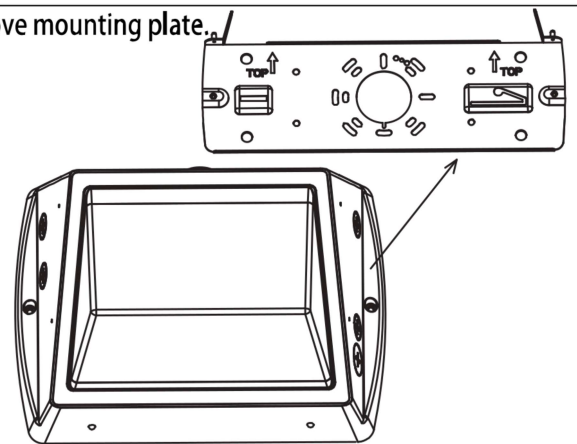
2.Remove the screws from the bottom.



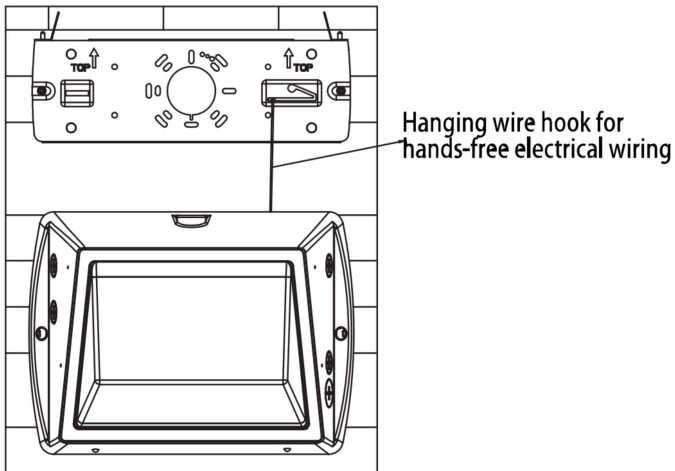
3.Remove mounting plate.



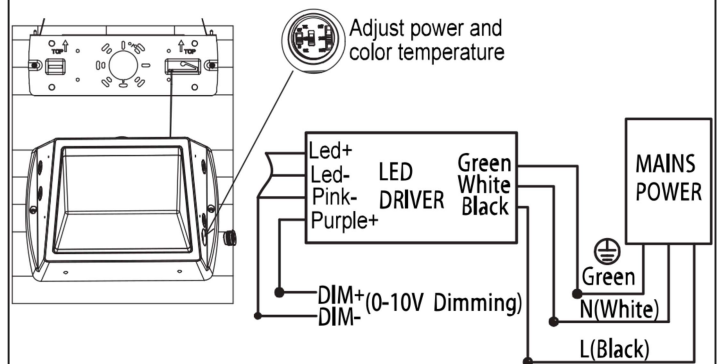
3.Remove mounting plate.



5.Hang the sling over the mounting plate.

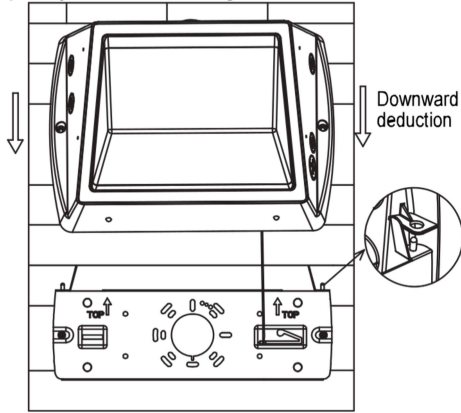


6.Connect the mains supply to the drive harness as shown in the figure,Adjust the CCT and power to the required gear.

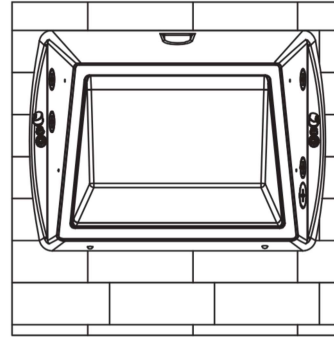


Installation Instruction

7. Buckle the lamp body onto the mounting base



8. Install the cap screws and rubber plugs.



9. Fill the gap between the lamp and the wall with silicone sealant to prevent rainwater from entering the junction box.

