

---

# ROCKET-LED FLOOD LIGHT ADJUSTABLE CCT/WATTAGE/BEAM



## BEAM SPREAD ADJUSTABLE BULLET FLOOD LIGHT

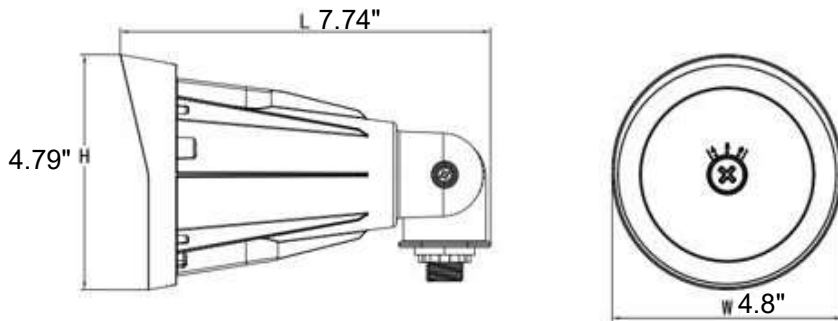
### Features & Benefits

1. Streamlined design, low wind resistance, better heat dissipation;
2. Universal voltage: 120-277V;
3. Professional lighting distribution technology, high reflectance optical lens with adjustable beam Spread of 47°-70°/71°-100°/101°-130°, lens transmittance > 90%.
4. Suitable for supermarket, warehouse, underground parking place, garage, Light weight and small size;
5. Apply to Outdoor basketball court, tennis court. Badminton court, the football field, Highway toll station etc.

### Specification:

Part No.	Power	Input Voltage	Luminous Flux	Luminous Efficacy	CC T	Viewing Angle	Ra	PF	Warranty
ROCKET-BFL0225-25W-TCP	10W/15W/25W	AC120-	3000lm	≥120LM/W	3000 K 4000 K 5000 K	47°-70°	≥80	≥0.9	5 Years
		277V				71°- 100° 101°-130° tunable			

### Product Dimension:

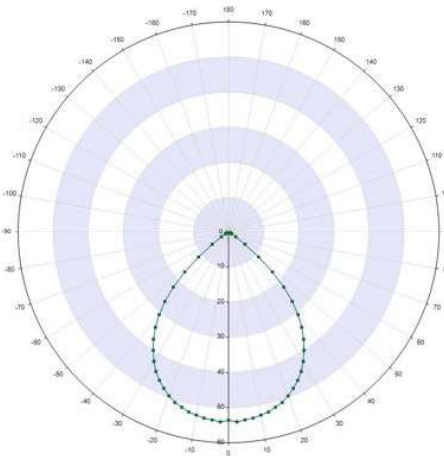


## BEAM SPREAD ADJUSTABLE ROCKET FLOOD LIGHT

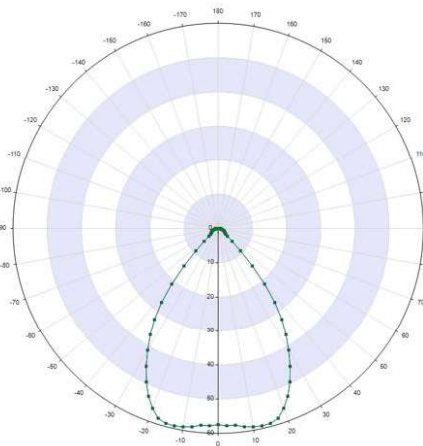
### Lighting Parameters :

Power	15W	5W/10W/15W	25W	10W/15W/25W
Rate Current (max)	0.138A	0.138A	0.229A	0.229A
Working Voltage	120V-277V			
Beam Angle	47°-70° /71°- 100°/101°-130°			
Color Temperature	3500K, 4000K, 5000K,5700K ; 35K/40K/50K,30K/40K/50K			
Luminous Efficiency	120lm/W			
Color Rendering Index	Ra > 80			
Operating Temperature	-40 F°~+113 F°			
Storage Temperature	-40 F°~+158 F°			
Application Environment	Wet Location			
Life-span	≥50000H			
Materials	ADC12			

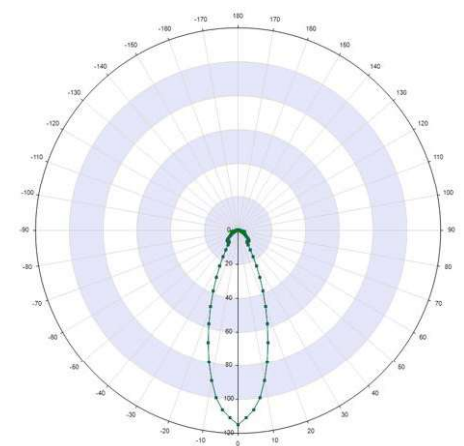
### Beam Spread



101°-130°  
(6H6V)



71°-100°  
(5H5V)



47°-70°  
(4H4V)