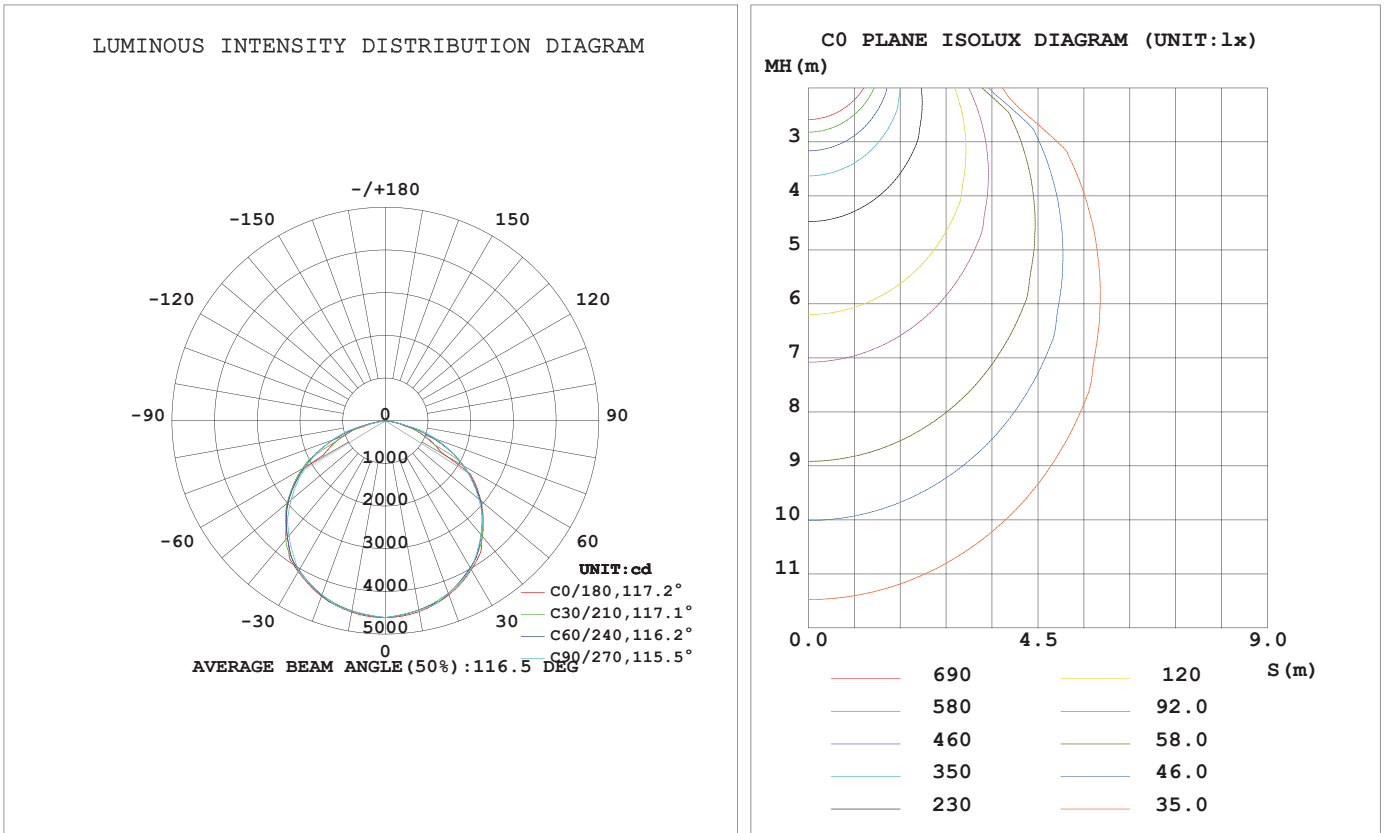


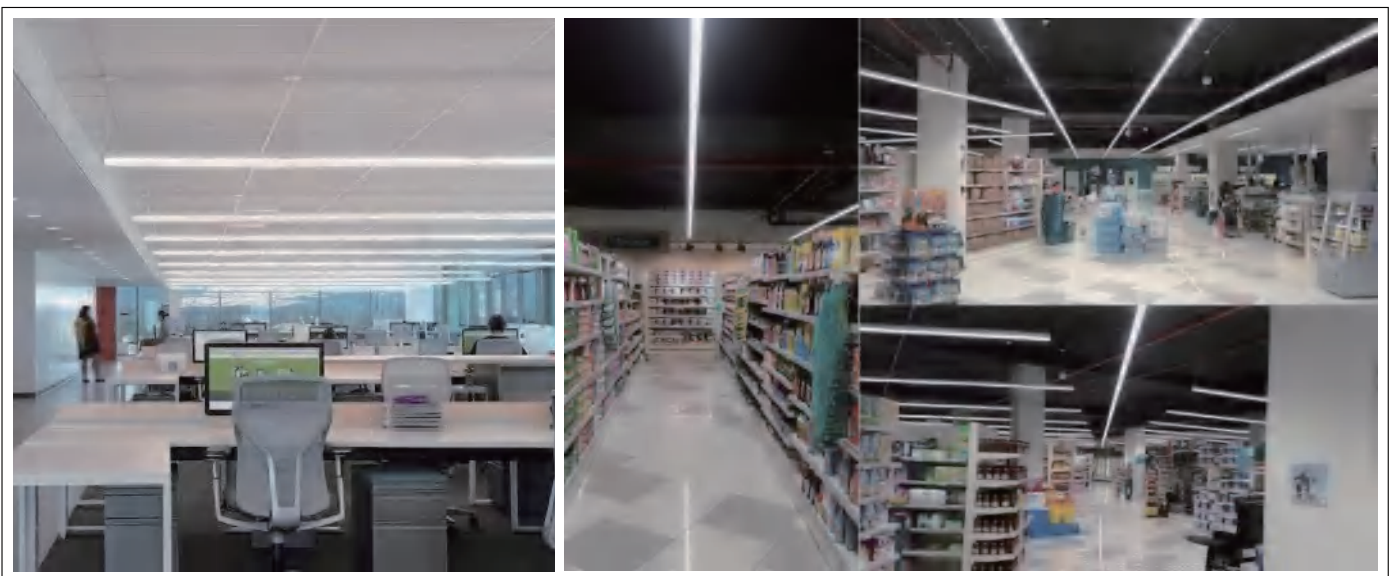
SILO-LED LINEAR STRIP LIGHT



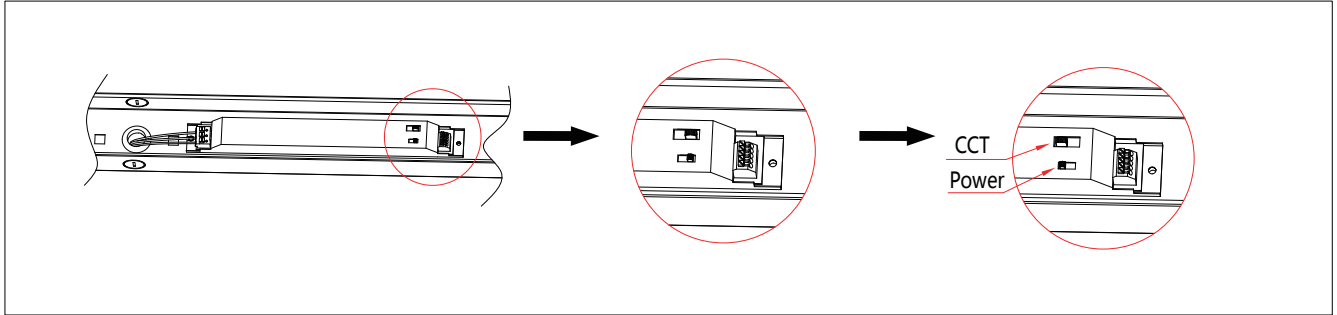
Testing Report



Applications



CCT&Wattage selectable



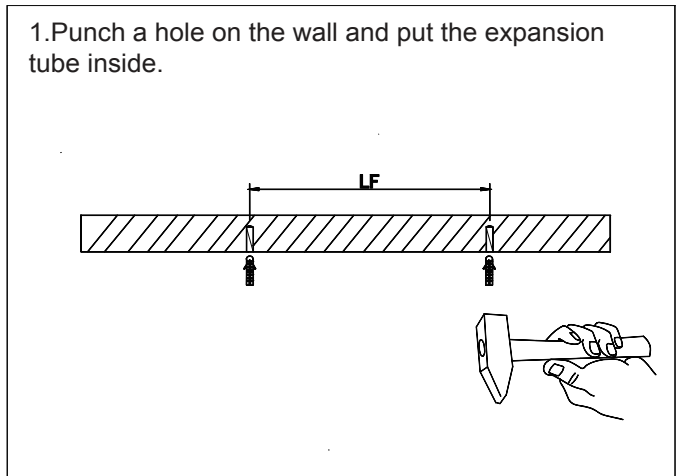
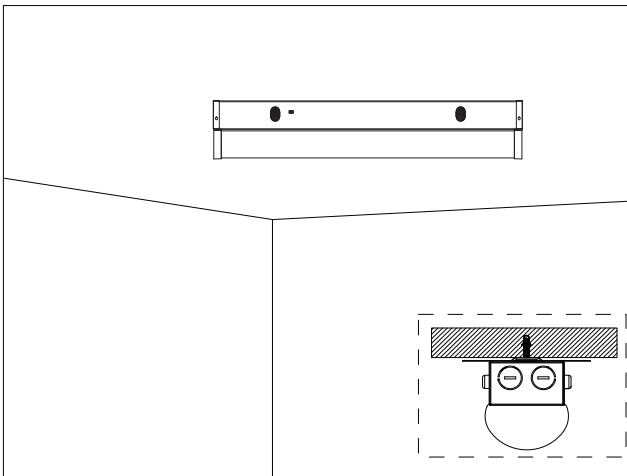
Installation manual

A.Surface-mounted installation

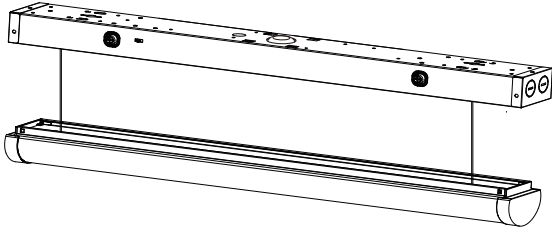
Parts List

Surface mount kit --4ft (included)	
	Parts: (1) J-box Adapter (2) Anchors (4) Screws
Surface mount kit --8ft (included)	
	Parts: (1) J-box Adapter (4) Anchors (6) Screws

Installation instructions

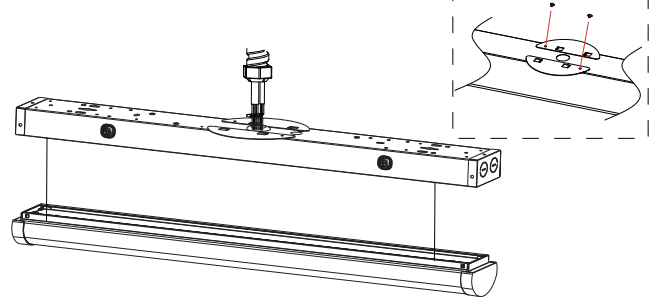


2. Swing open fixture by pushing in/squeezing both buttons located on opposite ends.

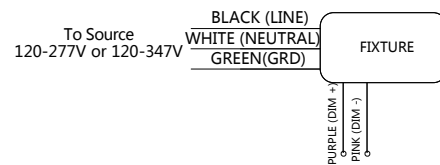
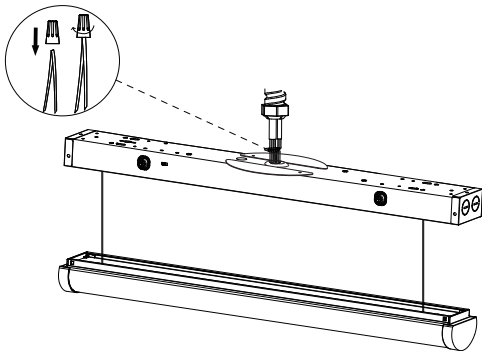


3. Run the fixture's power wires through the center hole of the round J-box adapter. Slide and secure the round J-Box adapter on the center slots located on the back of the fixture.

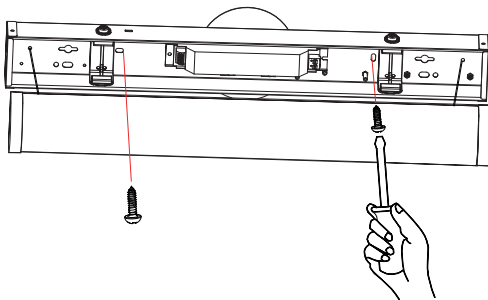
Note: J-Box adapter is used to cover the Junction Box



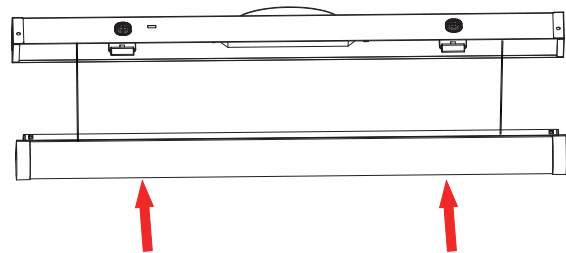
4. Turn off the power and make wiring by using wire nuts according to wiring diagram



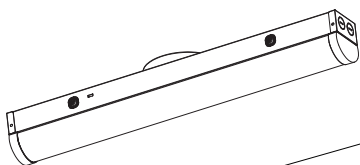
5. Secure the fixture to the wall with the correct mounting hardware



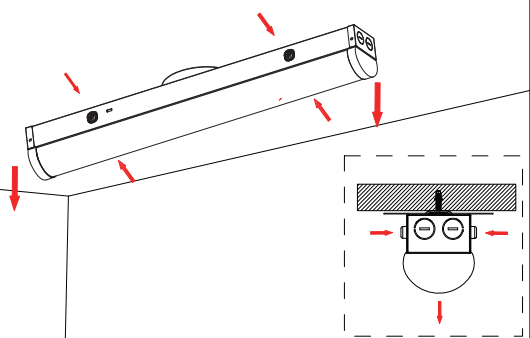
6. Press upward the cover and lock it with springs tightly which located into the fixture.



7. The installation is completed and energize the luminaire to verify operation.

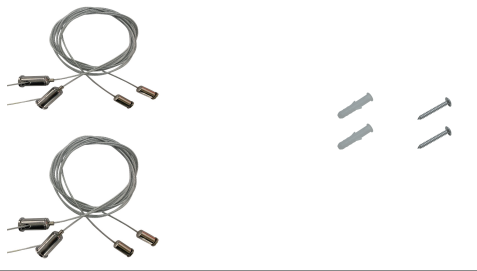
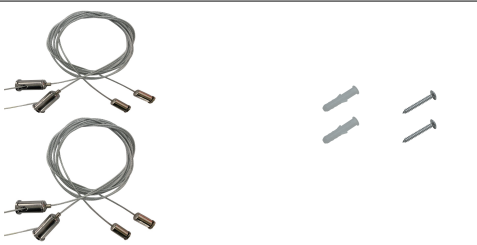


8. Swing open fixture by pushing in/squeezing both buttons located on opposite ends, if need to disassemble the fixture

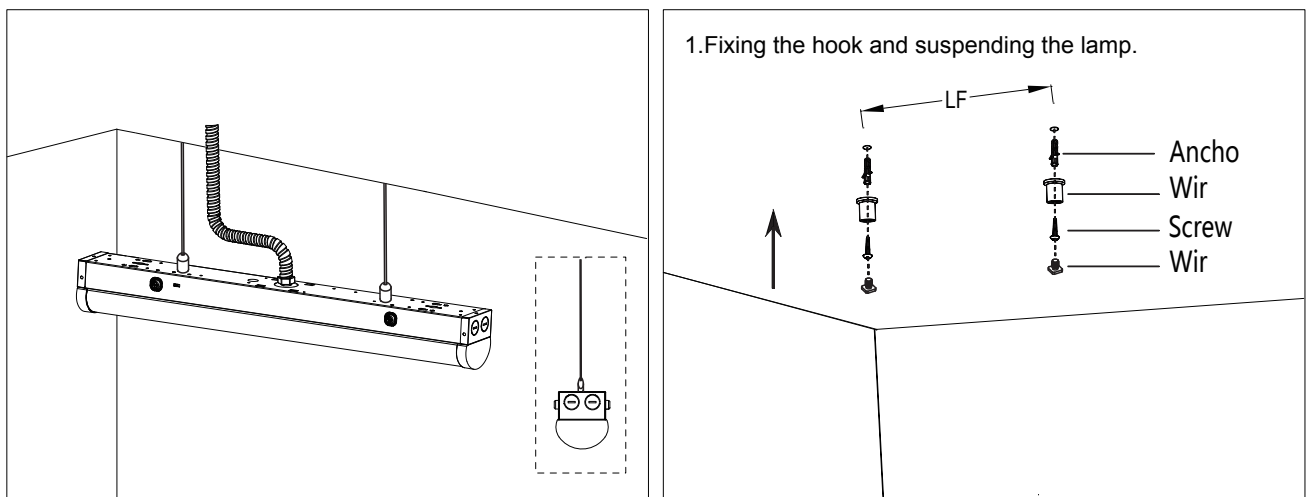


B. Suspending installation

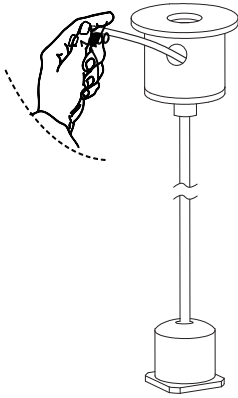
Parts List

Suspending installation -4FT(included)	
	<p>Parts:</p> <ul style="list-style-type: none"> (2) Safety Rope (2) Anchors (2) Screw
Suspending installation -8FT (inlcuded)	
	<p>Parts:</p> <ul style="list-style-type: none"> (4) Safety rope (4) Anchors (4) Screw

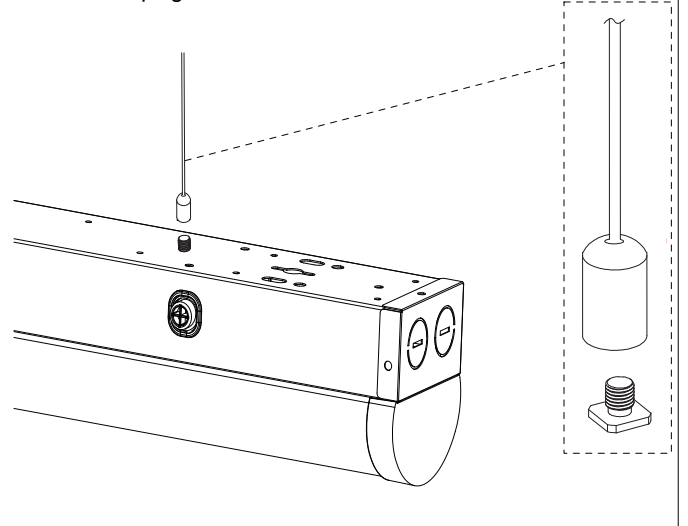
Installation intructions



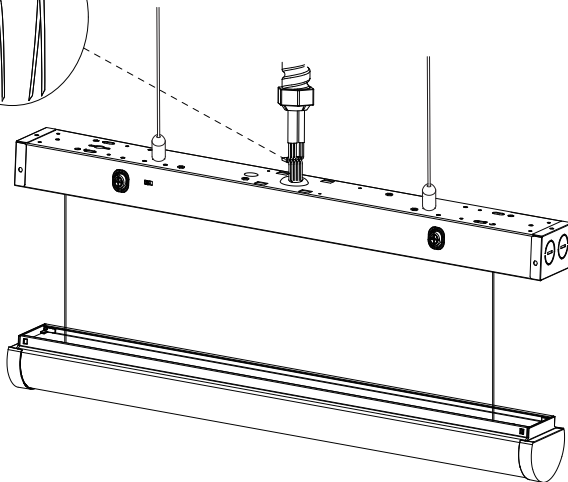
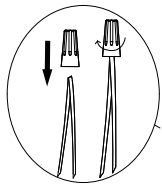
2. Adjusting the hanging rope length.



3. Use M5 square screw and M5 fixed head to fix LED strip light.

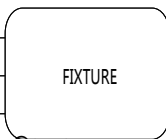


4. Turn off the power and wiring by using wire nuts.

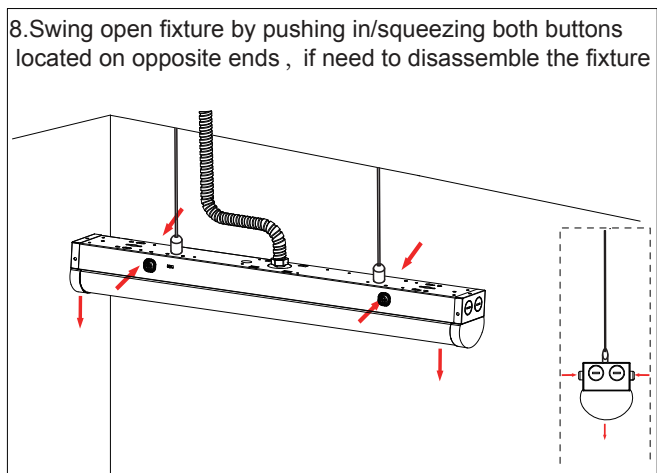
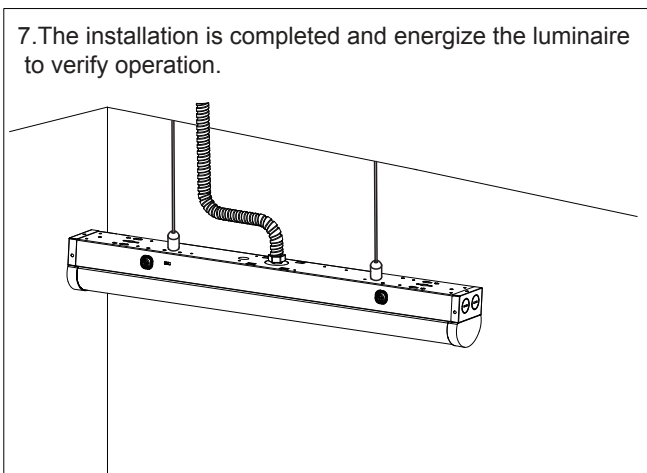
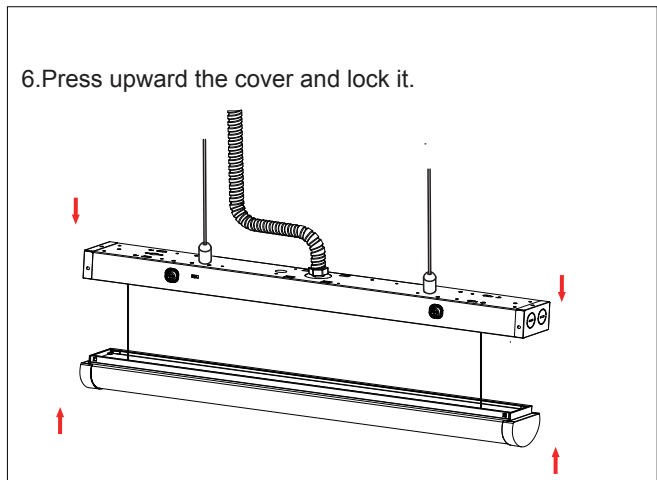
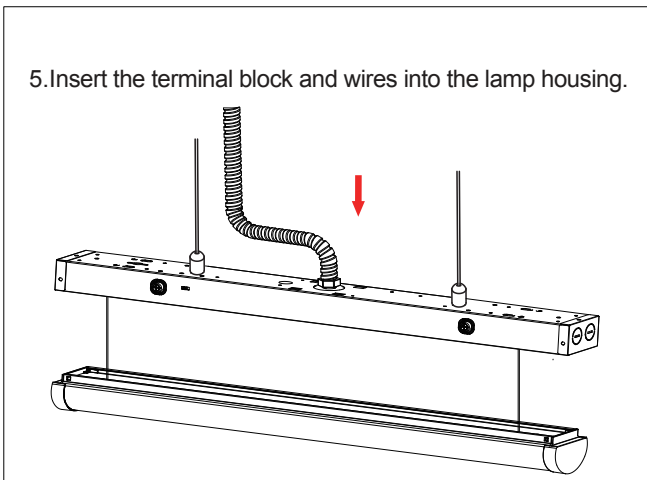


ToSource
120V-277V

BLACK (LINE)
WHITE (NEUTRAL)
GREEN (GRD)



PURPLE (DIM +)
PINK (DIM -)
Dimming



C. Continuous Row Mounting

4G LED Strip Light Linkable QTY



Size	Watts	120V		277V		Suggested Linkable QTY
		Current	QTY	Current	QTY	
4FT	25W,30W,40W	0.46	10	0.2	24	≤10 PCS
8FT	64W	0.65	7	0.28	17	<8 PCS

4G LED Strip Light Linkable QTY

Size	Watts	120V		277V		Suggested Linkable QTY
		Current	QTY	Current	QTY	
4FT	25W,30W,40W	0.46	10	0.16	30	≤10 PCS
8FT	64W	0.65	7	0.23	21	<8 PCS

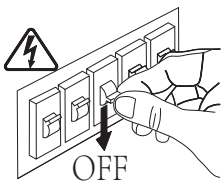
1.Surface-mounting continuous row mounting(daisy connection)

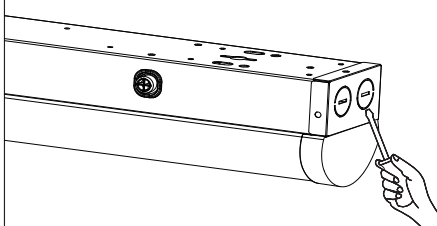
Parts List

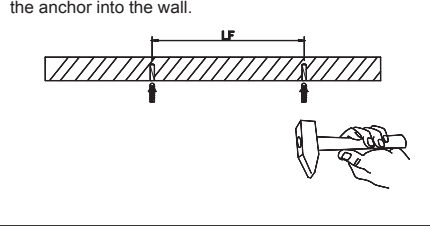
Continuous Row Mounting-4FT(included)		
		Parts: (1) Connection Bracket (1) Harness set (5) Wire Nuts (2) Anchors (2) Screws (2) Self-adhesive Cable Ties
Continuous Row Mounting-8FT(included)		
		Parts: (1) Connection Bracket (1) Harness set (5) Wire Nuts (4) Anchors (4) Screws (2) Self-adhesive Cable Ties

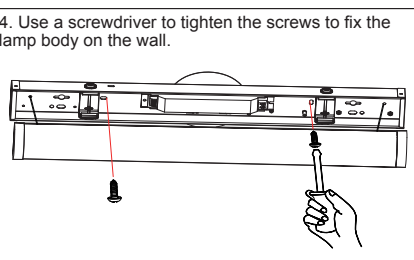
Installation instructions

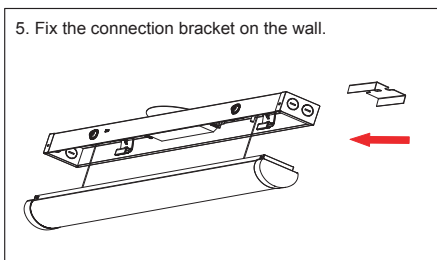
1. Turn off the power.

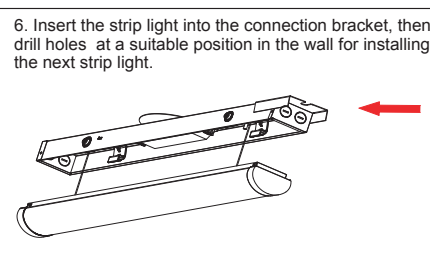

2. Screwed off the knockout hole at the end of lamp body.

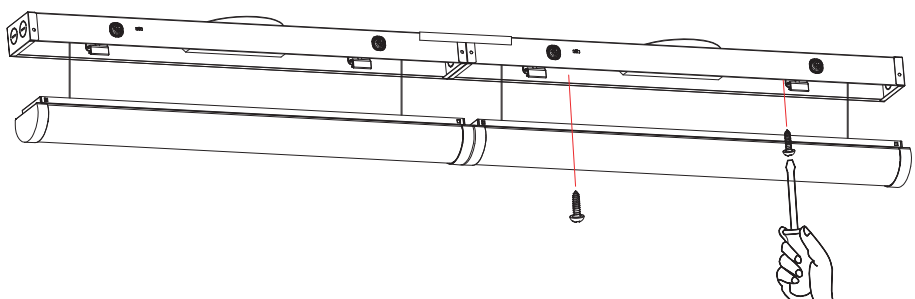

3. Drill holes at a suitable position on the wall and drive the anchor into the wall.


4. Use a screwdriver to tighten the screws to fix the lamp body on the wall.

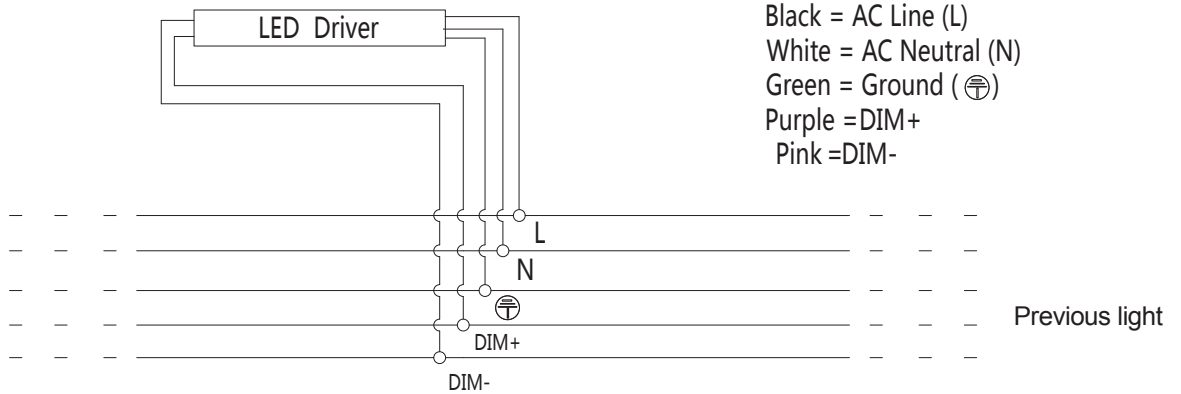

5. Fix the connection bracket on the wall.


6. Insert the strip light into the connection bracket, then drill holes at a suitable position in the wall for installing the next strip light.

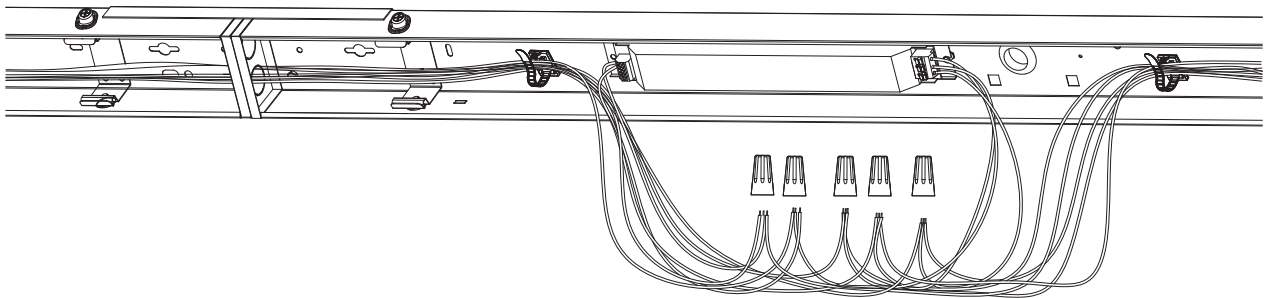

7. Fix the lamp body on the wall by screws, complete the installation; repeat the previous procedure to install the 3rd strip light, 4th strip light etc.



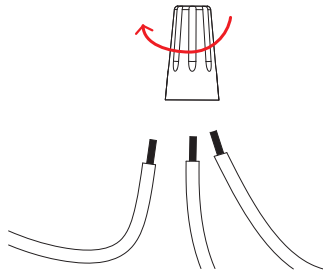
8. Wiring diagram.



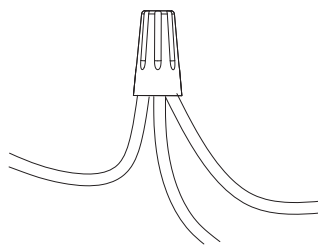
9. Take the black/white/green wire harness and connect to the existing wire connectors on the input wires of the driver respectively. When using the dimming function, take the purple and pink wire harness and make connection to driver. Please make wiring connection using the wiring diagram in Step 8.



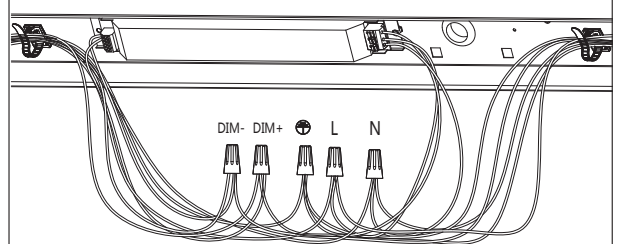
10. The same type of electronic wires are inserted into the same wire nut and combined into a parallel circuit.



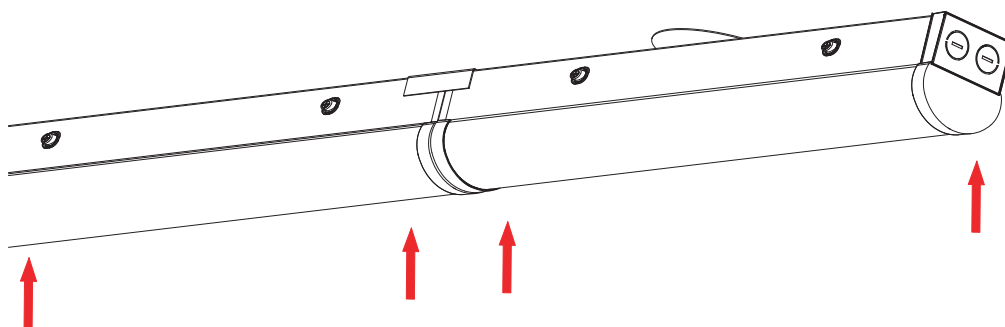
11. Tighten the wires in the wire nut as the photo shows below.



12. Once wiring is completed, take wire harness and run it through the knockouts of the connecting fixture. Use self-adhesive cable ties to eliminate any cable tangles and clutter.



13. Secure the LED Cover to the housing by pressing upward and lock it into the fixture. Energize the luminaire to verify operation.



2. Suspending continuous row mounting(daisy connection)

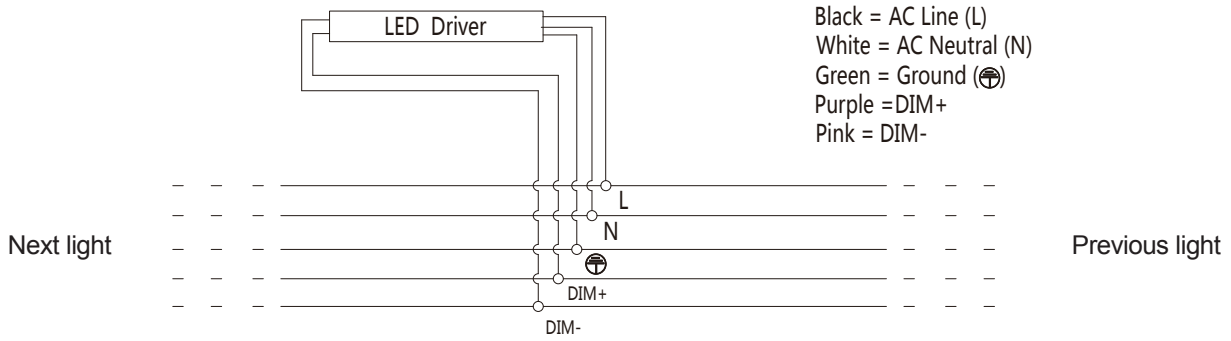
Parts List

Continuous Row Mounting-4FT(included)	
	Parts: (1) Connection Bracket (1) Harness set (5) Wire Nuts (2) Anchors (10) Screws (2) Self-adhesive Cable Ties (2) Safety Rope
Continuous Row Mounting-8FT(included)	
	Parts: (1) Connection Bracket (1) Harness set (5) Wire Nuts (2) Anchors (12) Screws (4) Self-adhesive Cable Ties (2) Safety Rope

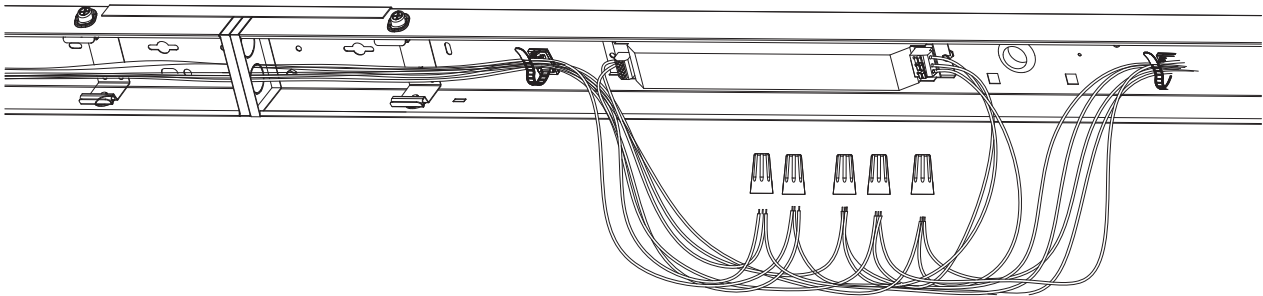
Installation instructions

1. Turn off the power.
2. Screwed off the knockout hole at the end of lamp body.
3. Fix the connection bracket at the end of one lamp with screw.
4. As shown, the drawing of connecting finished.
5. drill holes on the wall as well as lock the accessories orderly (as shown).
6. Adjust the length of safety rope rope after locked.
7. Lift up the light, fasten the hooks to the lamp.
8. Finished safety rope installation as shown.
9. install all lamps which need suspending as step above.
10. Press the button on both sides of light and remove LED Cover

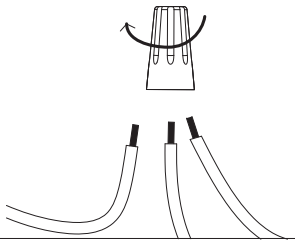
11. Wiring diagram.



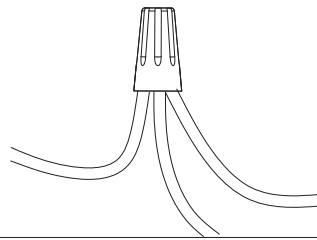
12. Take the black/white/green wire harness and connect to the existing wire connectors on the input wires of the driver respectively. When using the dimming function, take the purple and pink wire harness and make connection to driver. Please make wiring connection using the wiring diagram in Step 11.



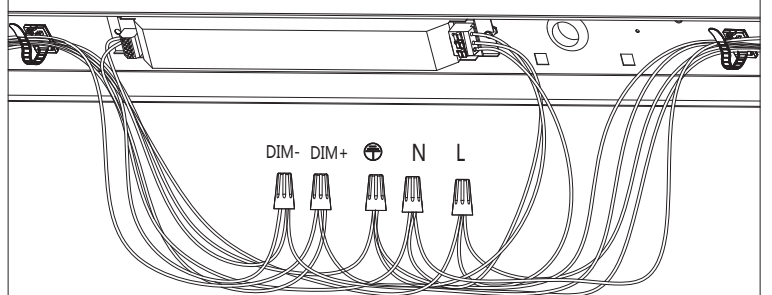
13. Insert the electronic wire into the wire nut.



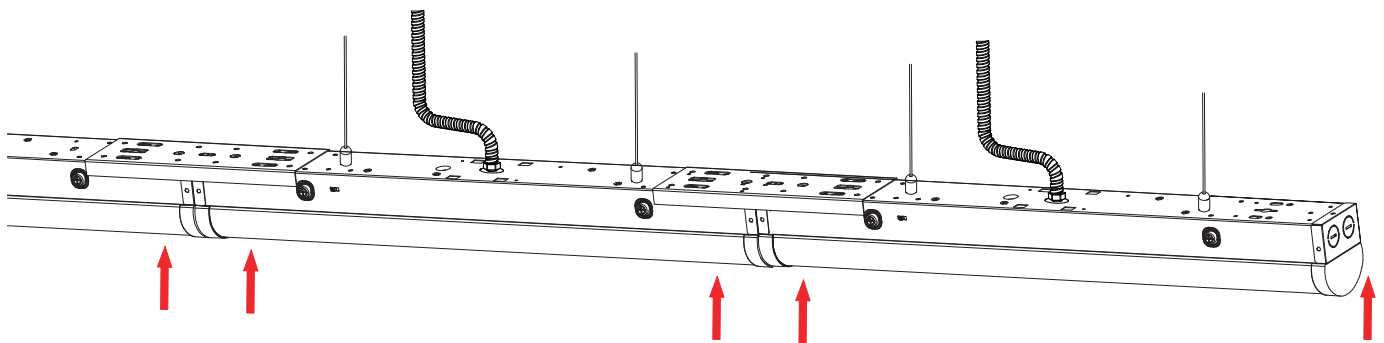
14. The same type of electronic wires are inserted into the same wire nut and combined into a parallel circuit.



15. Once wiring is completed, take wire harness and run it through the knockouts of the connecting fixture. Use self-adhesive cable ties to eliminate any cable tangles and clutter.

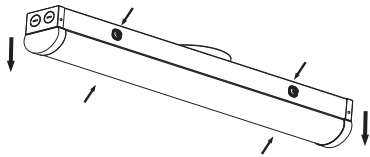


16. Secure the LED Cover to the housing by pressing upward and lock it into the fixture. Energize the luminaire to verify operation.

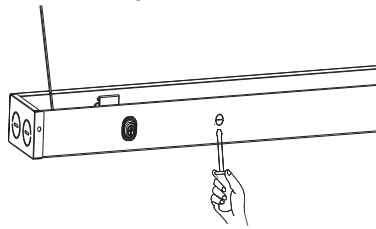


Installation of Emergency Power Supply

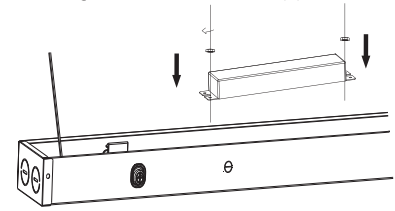
STEP 1: Press the Spring buttons and remove fixture cover/diffuser.



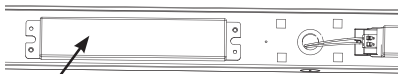
STEP 2: Use a flat screwdriver to remove knockouts on the bottom of fixture housing.



STEP 3: Align the Emergency power supply with the studs on the bottom housing and secure with supplied nuts.

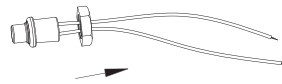


STEP 4: Image of the Emergency power supply installed.

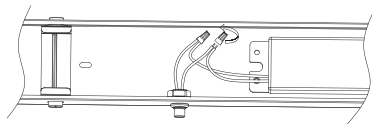
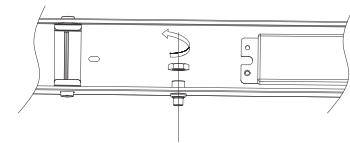


Optional Emergency power supply

STEP 5: Remove plastic nut from the Test/Indicator button.



STEP 6: Install the Test/Indicator button through the knockout on the side of the fixture housing and secure with plastic nut.



STEP 7: Connect wire leads from Test/Indicator button to wire leads from the Emergency power supply.

Wiring Diagrams

In order to avoid interference between the microwave sensors during operation, the installation distance between the lamps should not be less than one meter.

