

# SPOT 35

## MAGNETIC TRACK LIGHTING

VL-SPOT35-30K-BK



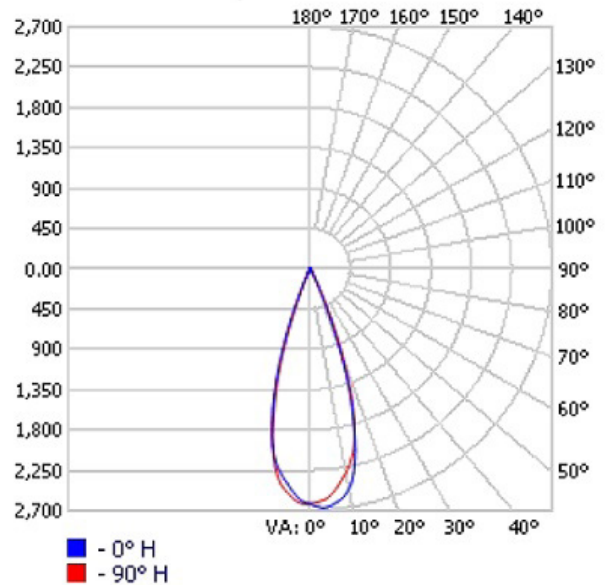
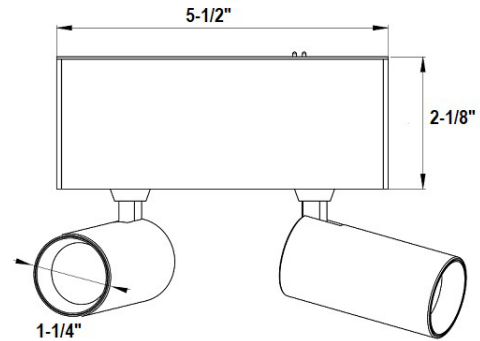
PROJECT

### DESCRIPTION

Introducing the SPOT 35 LED for magnetic track lighting offers a sleek and adaptable solution for illuminating various spaces with precision and style. Its compatibility with magnetic tracks provides effortless installation and reconfiguration, allowing for dynamic lighting layouts that can evolve with changing needs. With its slender profile the SPOT 35 LED seamlessly integrates into architectural designs, enhancing aesthetics while providing efficient illumination.

### SPECIFICATION DETAILS

<b>Dimensions</b>	L8.7" x H5.2" x W1.3"
<b>Light Source</b>	DC LED Module
<b>Power</b>	2X5W
<b>Total Lumen</b>	620lm
<b>Delivered Lumen</b>	580lm
<b>Input Voltage</b>	24V DC
<b>Color Temperature</b>	3000K
<b>CRI (Ra)</b>	90CRI
<b>LED Rated Life</b>	50,000 hours
<b>Dimming</b>	100% - 10%, Triac Dimmer (Not Included)
<b>Diffuser Details</b>	individual Diode / 35 degree distribution
<b>Location</b>	Dry indoor
<b>Mounting</b>	Ceiling / Wall
<b>Finish</b>	Black
<b>Illumination Direction</b>	Directional
<b>Construction</b>	Heavy Aluminum + PC
<b>Driver</b>	Requires 24V DC LED Driver
<b>Standards</b>	ETL



COMMENT

