

SPOT 35

MAGNETIC TRACK LIGHTING



VL-SPOT35-30K-WH



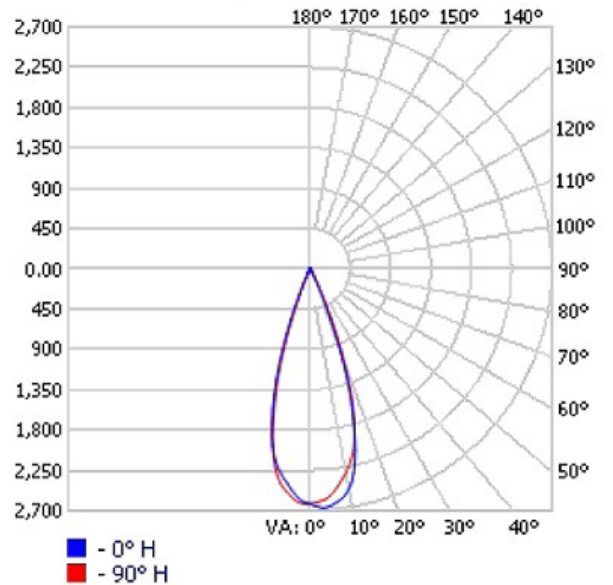
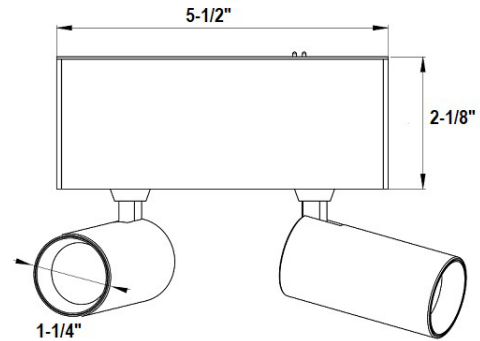
PROJECT

DESCRIPTION

Introducing the SPOT 35 LED for magnetic track lighting offers a sleek and adaptable solution for illuminating various spaces with precision and style. Its compatibility with magnetic tracks provides effortless installation and reconfiguration, allowing for dynamic lighting layouts that can evolve with changing needs. With its slender profile the SPOT 35 LED seamlessly integrates into architectural designs, enhancing aesthetics while providing efficient illumination.

SPECIFICATION DETAILS

Dimensions	L8.7" x H5.2" x W1.3"
Light Source	DC LED Module
Power	2X5W
Total Lumen	620lm
Delivered Lumen	580lm
Input Voltage	24V DC
Color Temperature	3000K
CRI (Ra)	90CRI
LED Rated Life	50,000 hours
Dimming	100% - 10%, Triac Dimmer (Not Included)
Diffuser Details	individual Diode / 35 degree distribution
Location	Dry indoor
Mounting	Ceiling / Wall
Finish	White
Illumination Direction	Directional
Construction	Heavy Aluminum + PC
Driver	Requires 24V DC LED Driver
Standards	ETL



COMMENT

