

DELTA LED FLOOD LIGHT



Features & Advantages:

1. Exquisite Appearance

The floodlight's unique triangular shape with distinct edges provides a refined texture, while its sleek design adds a touch of elegance. Available in black and gray-brown finishes.

2. Excellent Heat Dissipation

Constructed from ADC12 aluminum alloy and utilizing an integrated die-casting process, the floodlight's efficient heat emission fin design significantly enhances heat dissipation.

3. CCT & Wattage Adjustable

Equipped with adjustable color temperature (CCT) and wattage options, along with a photocell function, for adaptable lighting solutions.

4. Multiple Installation & Bracket Options

Three installation bracket options – Yoke, Knuckle, and Slip-fitter – are available, all offering angle adjustments to suit various installation scenarios.

5. Strong Waterproof Performance

In addition to its IP65 waterproof rating, the fixture is designed with a drainage groove to prevent water accumulation, making it ideal for outdoor use in diverse weather conditions.




6. Beam Angle Adjustable

The adjustable lens allows customization of beam angles to 60°, 75°, or 90°, according to specific requirements and environmental needs.

Parameters

PART NUMBER	Wattage selectable	CCT selectable	Lumen efficiency	Voltage	Rate Current	Beam angle	Photocell
DELTA-FL1103-35W-H-TCP-KN-3050K	35w-25w-15w	30k-40k-50k	> 120lm/w	AC 120-277V	0.324A	60°-75°-90°	Y
DELTA-FL1115-150W-H-TCP-KN-3050K	150w-130w-100w	30k-40k-50k	> 120lm/w	AC 120-277V	0.324A	60°-75°-90°	Y

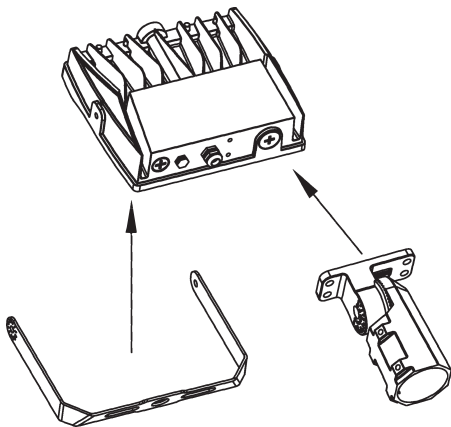
Accessories

PART NUMBER	DETAIL	
DELTA-FL11-YK-35	YOKE-work for 35W housing	
DELTA-FL11-KN-35	Knuckle-work for 35W housing	 comes in every box
DELTA-FL11-KN-80150	Knuckle-work for 150W housing	
DELTA-FL11-SF-80150	Slip-fitter work for 150W housing	

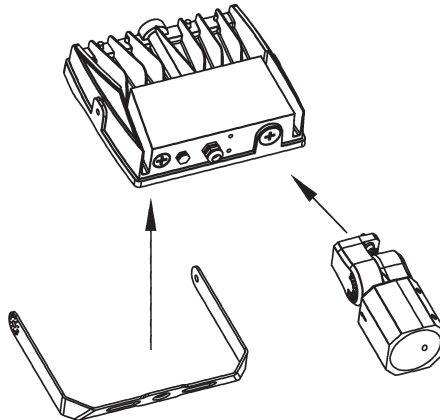
Lighting Parameters:

Product code	DELTA-FL1103-35W-H-TCP-KN-3050K	DELTA-FL1115-150W-H-TCP-KN-3050K
Rate Current	0.185A	2.777A
Wattage abjutstable	35W/25W/15W	150W/130W/100W
Working Voltage	AC120-277V	
Color Temperature	3000/4000/5000K	
lamp's Luminous Efficiency	120LM/W	
Color Rendering Index	Ra \geq 70	
Operating Temperature	-40°F ~+104°F	
Storage Temperature	-40°F ~+158°F	
Environment Location	Wet Location	
Life-span	30000H	
Materials	ADC12	
The color of the lamp shell	Brown/black	
Mounting	Bracket fixed	

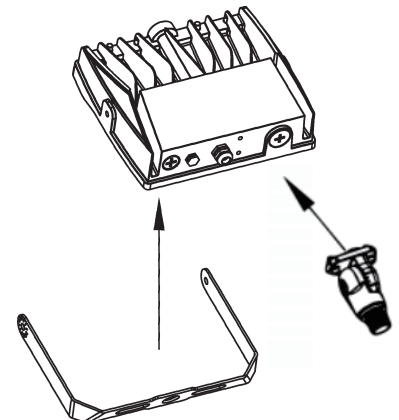
Assembly Options:



The yoke and slip-fitter can be interchangeable for 150W

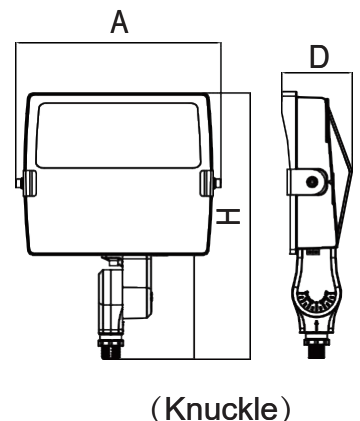
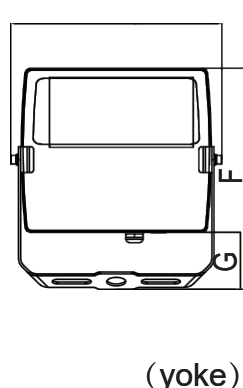
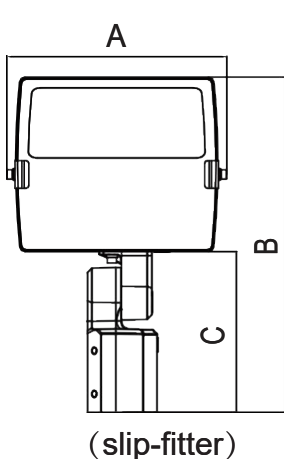


The yoke and slip-fitter can be interchangeable for 60/80W



The yoke and Knuckle can be interchangeable for 20/35/60/80W

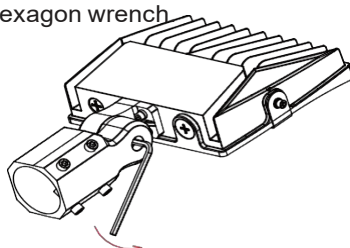
Product Dimension



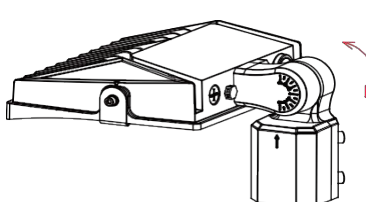
ITEM	A	B	C	D	E	F	G	H	I
FL1103-35W	8.7"	/	/	2.9"	8.7"	9.7"	1.9"	10.7"	3.0"
FL1115-150W	11.5"	17.1"	6.8"	3.6"	11.5"	12.8"	2.57"	/	/

Installation Instruction (Slip- Fitter)

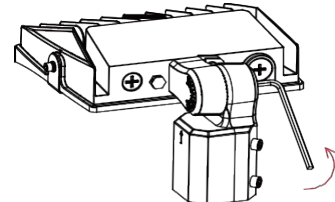
1. Loosen the screw used to fix the upper and the lower mount in rotating shaft by Hexagon wrench



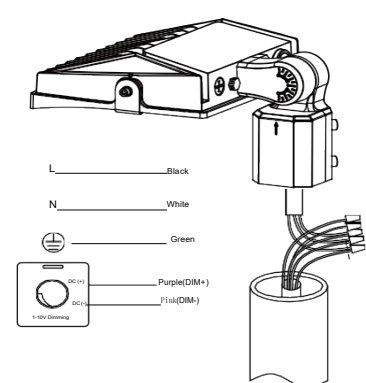
2. Rotate the bracket to proper Angle.



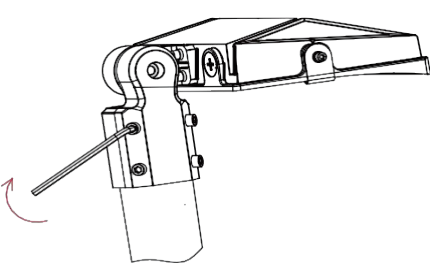
3. Lock the upper and lower brackets by Hexagon wrench.



4. Connect wires.

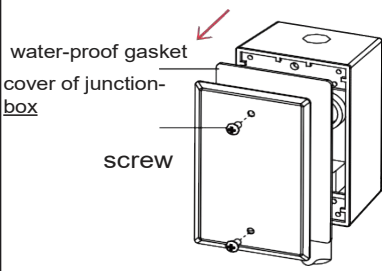


5. Fix the bracket to lamp pole by hexagonal wrench.

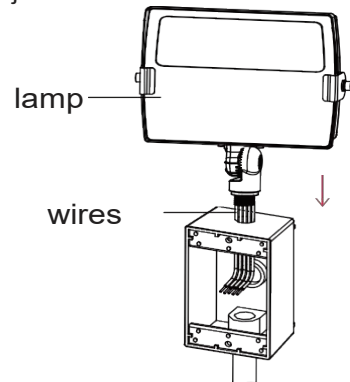


Notice: The maximum diameter of lamp pole is Ø60, lamp adjustable angle is 0° -90°

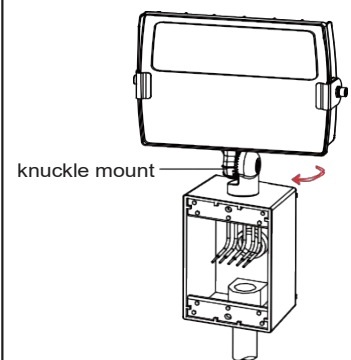
1. Use screw key to open the junction-box.



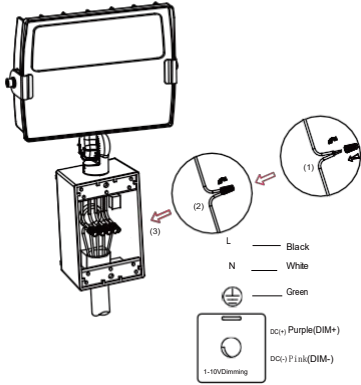
2. Put the wires of lamp into the junction-box.



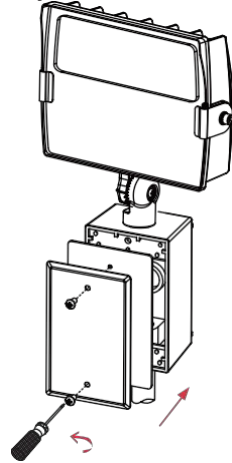
3. Screw up the knuckle mount into junction-box.



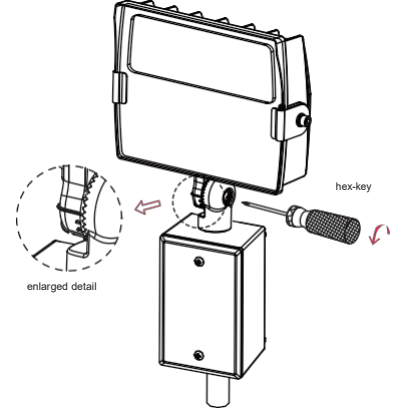
4. Use wire-nuts to connect the wires of lamp and junction-box



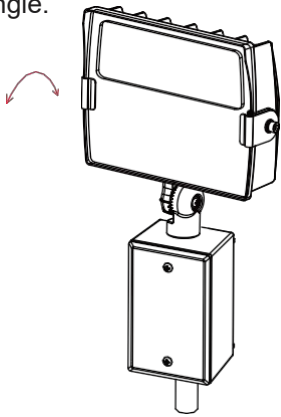
5. lock the junction-box with screw key



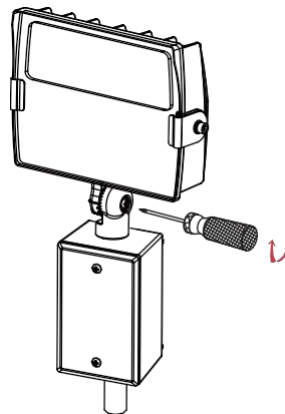
6. Use hex-key to screw off the hex-screw in knuckle mount.



7. Adjust the lamp into suitable angle.

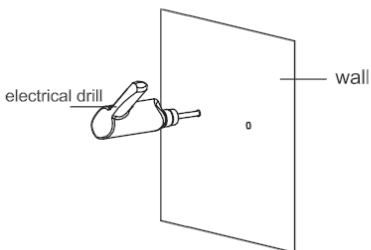


8. Use hex-key to screw up the hex-crew. Installation completed.

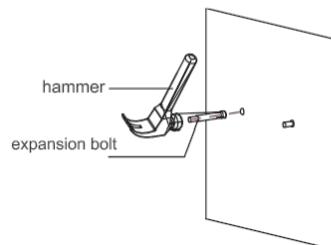


Installation Instruction (Yoke)

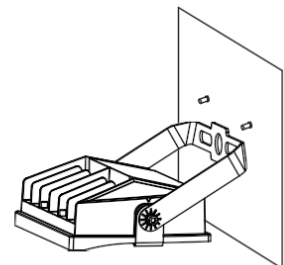
1. Mark the position of the fixing holes with foold light bracket, then drill the fixing holes



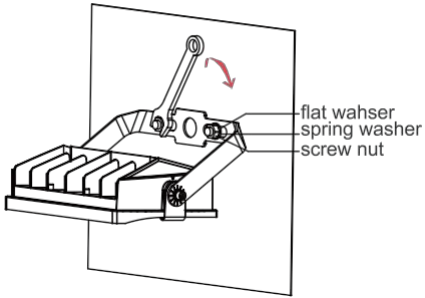
2. Drive in the bolts to the pre-drilled holes with thread outside, as the below pic indicate.



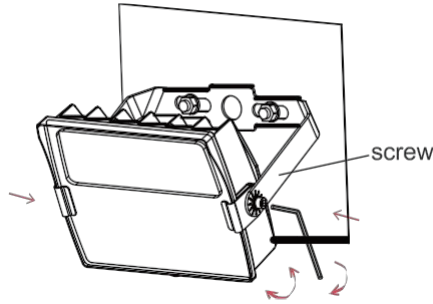
3. Make the bracket face tightly to the wall through the thread.



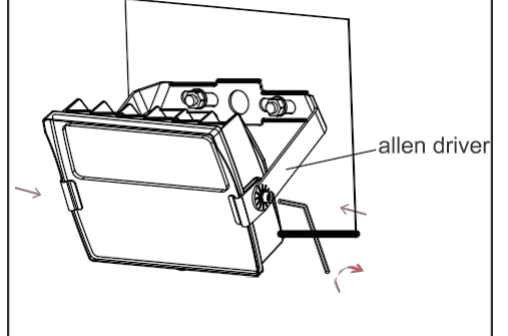
4. Fasten the screw nut clockwise with provided hardware by wrench.



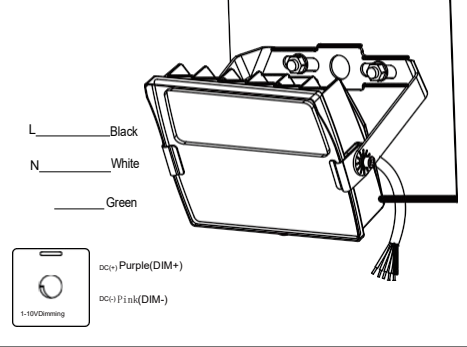
5. Rotate the light to the proper angle and fasten the screws.



6. Fasten the screw both sides with allen driver.

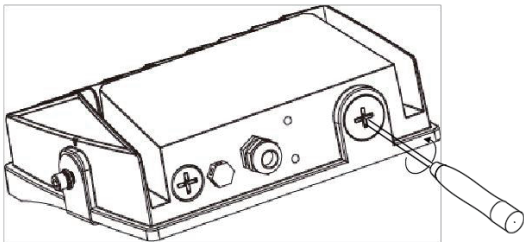


7. Connect wires

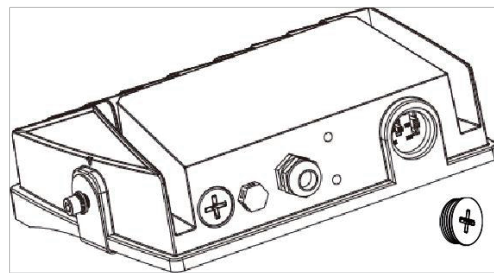


Step of adjusting Power

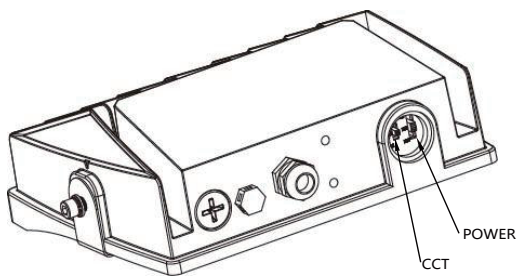
Step 1: Put the front of fixture downward, then twist out the cover with a cross screwdriver.



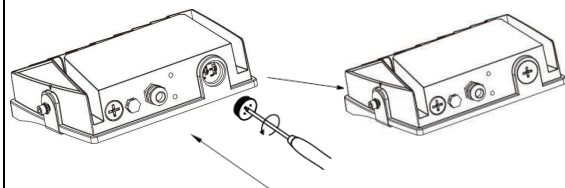
Step 2: Take out the cover and put it aside temporarily.



Step 3: Select desired color temprature and wattage.

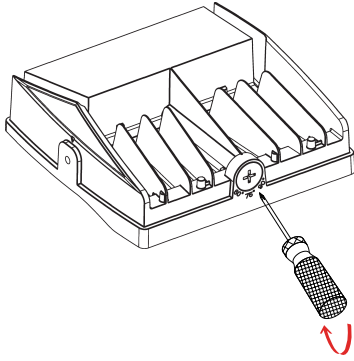


Step 4: Screw the cover back into the fixture.

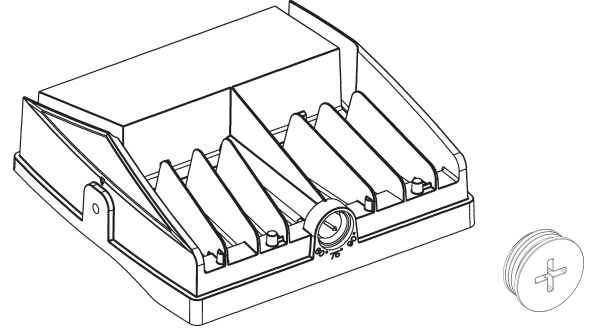


Procedure for adjusting the beam angle

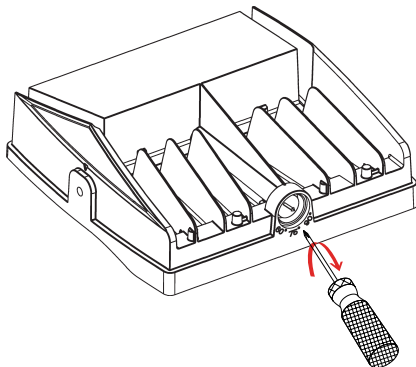
Step 1: Put the front of fixture downward, then twist out the cover with a cross screwdriver.



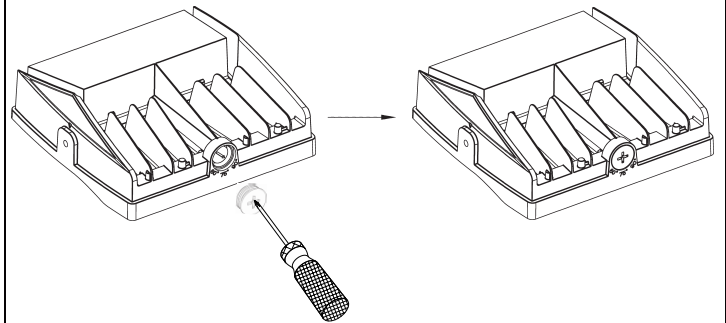
Step 2: Take out the cover and put it aside temporarily.



Step 3: Select the desired beam angle.



Step 4: Screw the cover back into the fixture.



NOTE

1. Only a qualified electrician should carry out the electrical work;
2. Cut off the power supply before installing, working on, or moving;
3. Clean the floodlight shell regularly;
4. Do not wipe with caustic solutions;
5. Be sure to ground the fixture;
6. Be careful when using and storing;
7. Avoid high pressure.