

**LED SURFACE MOUNT SPECIFICATIONS**

**FEATURE**

- This integrated LED surface mount down light is a ultra-thin sleek fixture with smooth white trim.
- It can be installed directly to most round or octagon junction boxes.
- Designed for commercial or residential use.
- CCT can be adjusted on field to suit different environment needs.



**APPLICATION**

- drawing room,bedroom,corridor , administration office and business premises

**SPECIFICATIONS**

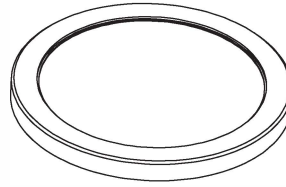
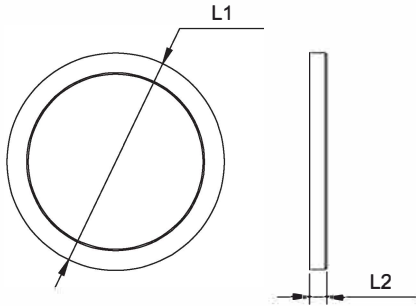
Model No.	RY-SMD-R5-10W-3CCT	RY-SMD-R7-15W-3CCT	RY-SMD-R9-18W-3CCT	RY-SMD-R12-24W-3CCT
Power:	10W	15W	18W	24W
Size:	5"	7"	9"	12"
Input Voltage:	120 VAC			
Lumens	720LM	960LM	1440LM	1920LM
Dimming	Triac dimming			
Protection Rating	IP20 (For Indoor Use Only)			
Beam Angle	120°			
CCT:	3CCT Tunable3000K/4000K/5000K			
CRI:	>80			
Working Life:	Lumen Maintenance over 70% @ 50,000+ Hours			
Oper. Temperature	-13°F ~+113°F / -25°C ~+45°C			
Certification	ETL			



**PRODUCT DIMENSIONS**

Front View

Side View

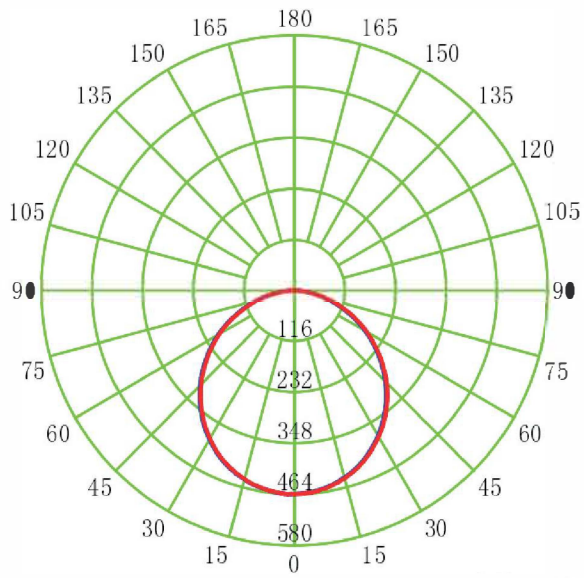


Model No.	RY-SMD-R5-10W-3CCT	RY-SMD-R7-15W-3CCT	RY-SMD-R9-18W-3CCT	RY-SMD-R12-24W-3CCT
Size				
L1	5.51"	7.09"	8.86"	12.01"
L2	.71"	.71"	.71"	.71"

**PHOTOMETRIC REPORT**

**9" LIGHT**

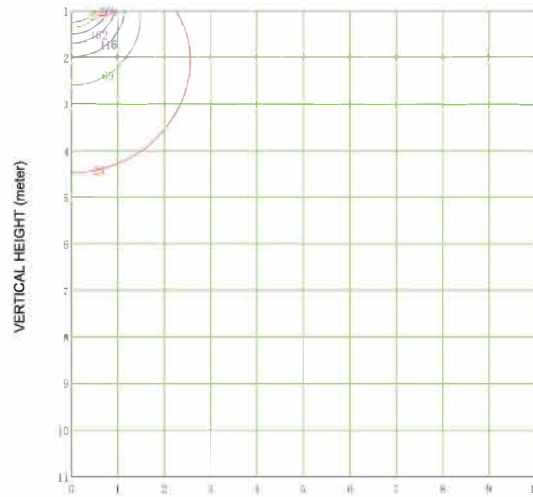
LUMINOUS INTENSITY DISTRIBUTION DIAGRAM



UNIT: cd

— C0-C180      — C9-C270

VERTICAL EQUILUMINOUS CURVE



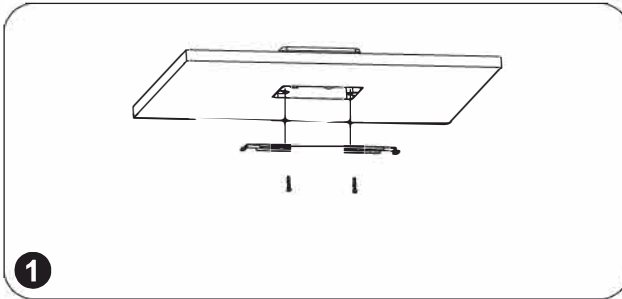
HORIZONTAL DISTANCE (meter)

MINIMUM ALTITUDE 1.0 M  
MAXIMUM ALTITUDE 11.0 M  
MAXIMUM ILLUMINATION 463.3 lx

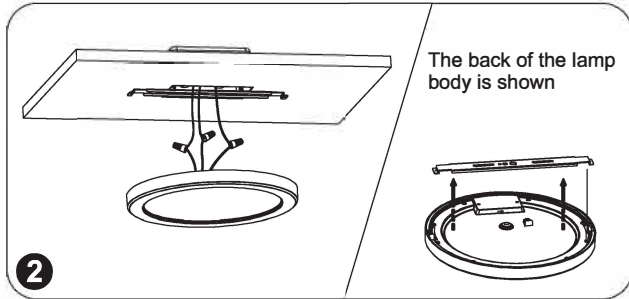
— ( 5% ) : 23.2 lx      — ( 15% ) : 69.5 lx  
— ( 25% ) : 115.8 lx      — ( 35% ) : 162.1 lx  
— ( 45% ) : 208.5 lx      — ( 55% ) : 254.8 lx  
— ( 65% ) : 301.1 lx

**INSTALLATION INSTRUCTION**

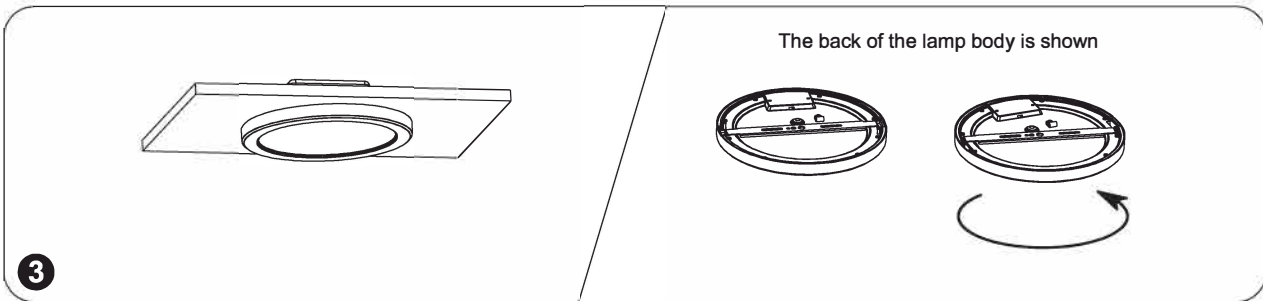
**STEPS**



1. Fixing bracket on terminal box



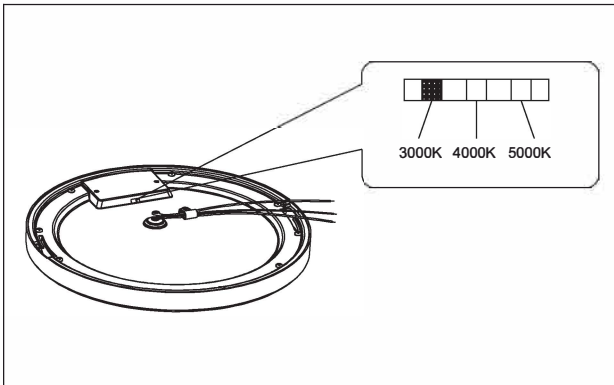
2. Wiring and color temperature adjustment  
(see operation guide)



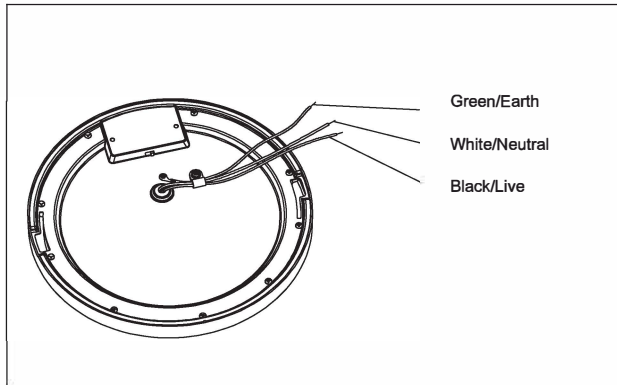
3. Fixing the lamp body on bracket and fix tightly

**OPERATING GUIDE**

**1 CCT Adjustable**



**2 Wiring Guide**



**Accessories bag includes:**

