

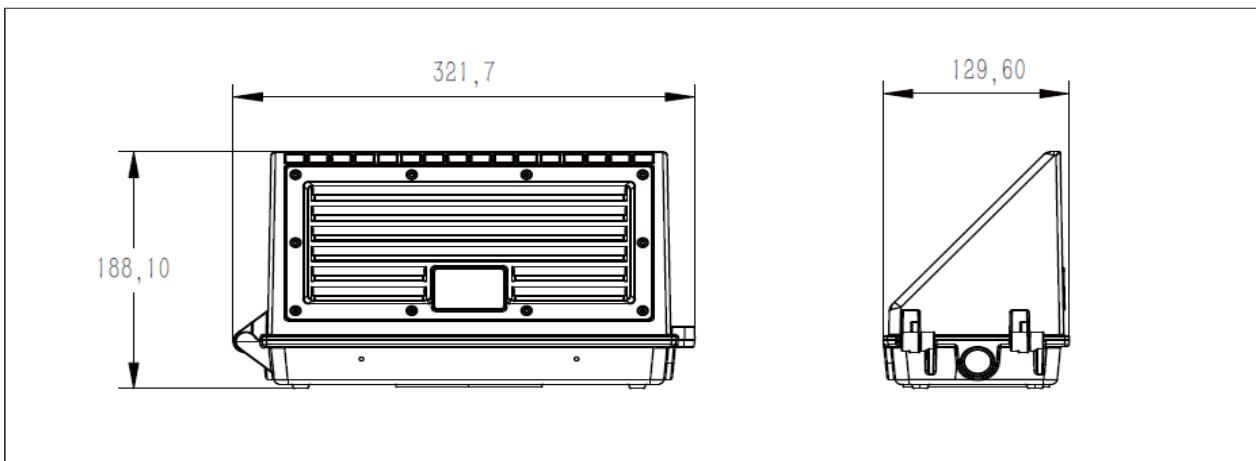
FULL CUTOFF LED WALL PACK 75W TUNABLE 3CCT PHOTOCELL

PART # FCO-WP10-75W-H-50K

Product Overview:

The LED Full Cutoff Wall Pack is an energy-efficient and versatile outdoor lighting solution. Designed for durability and performance, it features selectable wattage and color temperatures, allowing for customization to meet a variety of lighting needs. The architectural bronze finish provides a sleek and modern appearance, while the included photocell ensures automatic operation and energy savings.

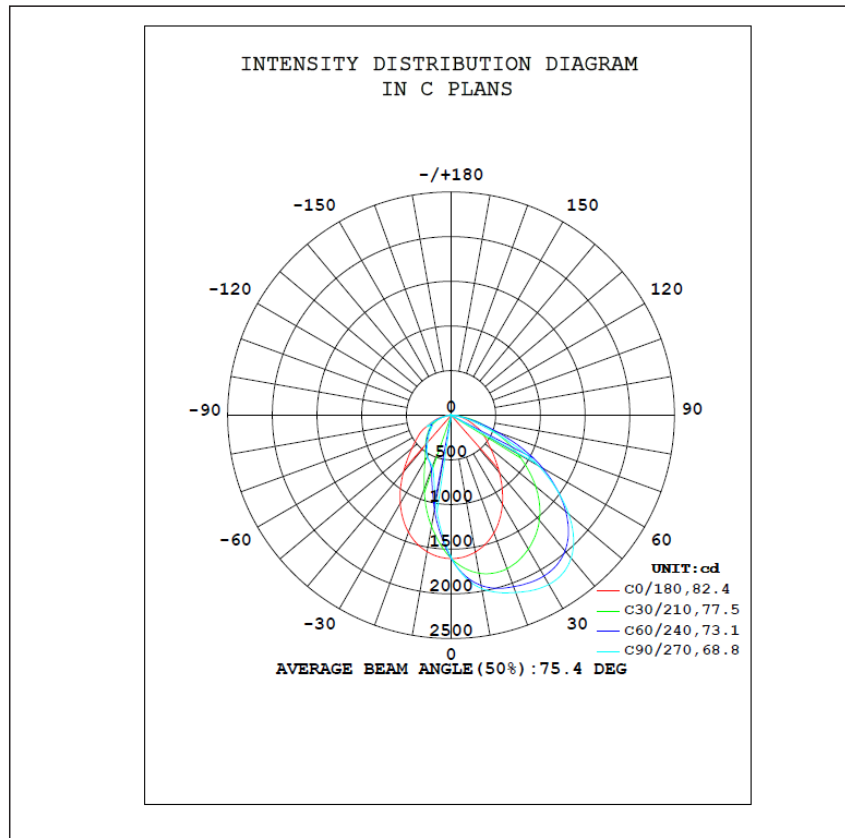
- **Key Features:** Selectable Wattage: 45W / 60W / 75W, adjustable via an internal switch.
- **Selectable CCT:** 3000K (Warm White), 4000K (Neutral White), 5000K (Cool White).
- **Durable Construction:** Rugged composite housing with architectural bronze powder coating for corrosion resistance.
- **Photocell Included:** Built-in dusk-to-dawn sensor for automatic on/off operation.
- **Lens Type:** High-impact, UV-resistant polycarbonate lens for uniform light distribution.
- **Energy Efficiency:** Reduces energy consumption by up to 80% compared to traditional fixtures.
- **Certifications:** UL listed, DLC certified for high performance and safety standards for wet location.



Lighting Details

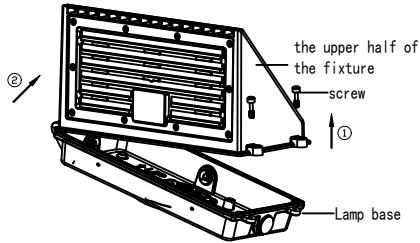
Power	45W/60W/75W
Rate Current	0.416A/0.555A/0.694A
Working Voltage	120-277Vac
Beam Angle	90° x 100°
Color Temperature	3000K, 4000K, 5000K
lamp's Luminous Efficiency	120lm/W
Color Rendering Index	Ra > 70
Operating Temperature	-40°F ~ + 104°F
Storage Temperature	-40°F ~ + 158°F
Environment Location	Wet Location
Life-span	50000 Hrs
Materials	Composite
The color of the lamp shell	Architectural Bronze
Mounting	Bracket fixed

Optical

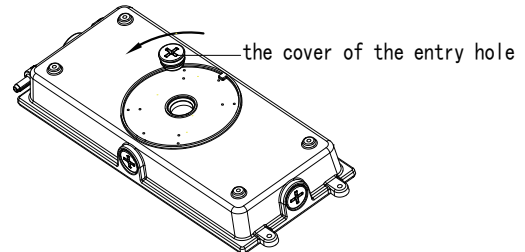


Installation Instruction

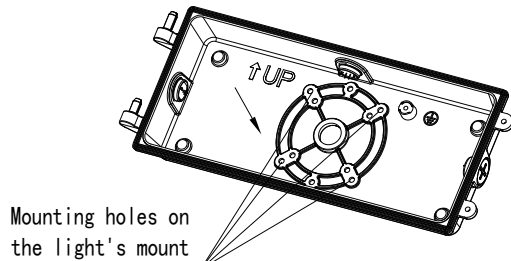
1. Use a screwdriver to unscrew the lamp screws and remove the upper half of the fixture.



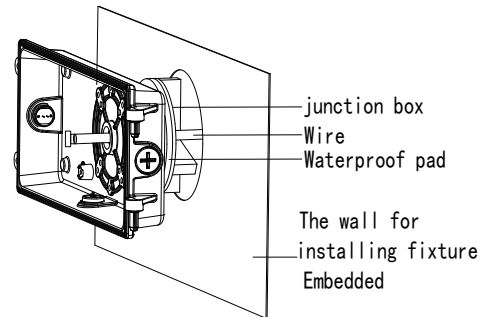
2. Unscrew the cover of the entry hole on the lamp base and remove the cover.



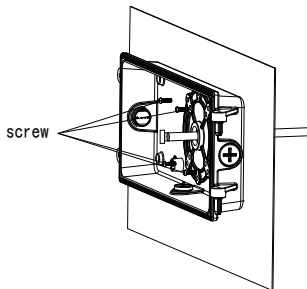
3. According to the embedded terminal box, punch the corresponding mounting hole on the light's mount.



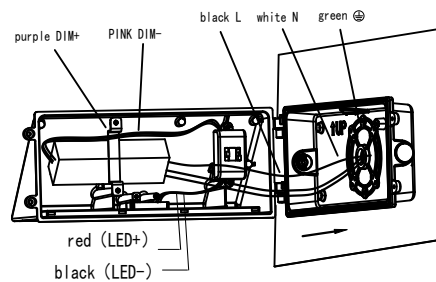
4. Put the input line in the embedded box, pass through the waterproof pad and then pass through the lamp base.



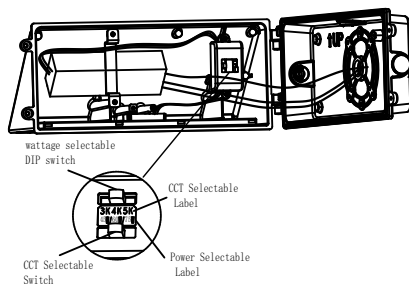
5. Use screw to lock the lamp base on the embedded junction box.



6. Connect the input wire and the dimming wire of the light, then put the connected wires into the embedded terminal box.



7. After the wiring is completed, set the CCT and power value through the internal DIP switch. According to the label, users can dial the desired color temperature value and power value.



8. Use screws to lock the fixture. Installation completed.

