

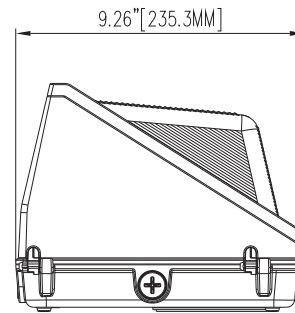
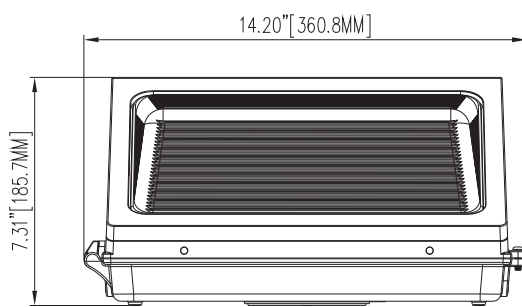
FEATURES

- **A variety of drivers are available**

Using an isolated, 1-10V dimmable.

- **Protection level: Wet Location**

The wall pack is sealed by silicone ring that can avoid dust completely and be waterproof, also the internal level ensures that the installation is horizontal.


PRODUCT DIMENSIONS

LIGHTING PARAMETERS

| | |
|-----------------------------|-----------------------|
| Model | WP-120W-XX-3W3CCT |
| Rate Current | 0.733A |
| Working Voltage | AC120-27 V |
| Wattage | 60w / 80w / 120w |
| Color Temperature | 3000K / 4000K / 5000K |
| lamp's Luminous Efficiency | 120LM/W(90°) |
| Color Rendering Index | Ra > 80 |
| Operating Temperature | -40°F ~ +113°F |
| Storage Temperature | -40°F ~ +158°F |
| Environment Location | Wet Location |
| Life-span | ≥ 50000H |
| Materials | ADC12 |
| The color of the lamp shell | ARCHITECTURAL BRONZE |
| Mounting | Bracket fixed |



PACKING INFORMATION

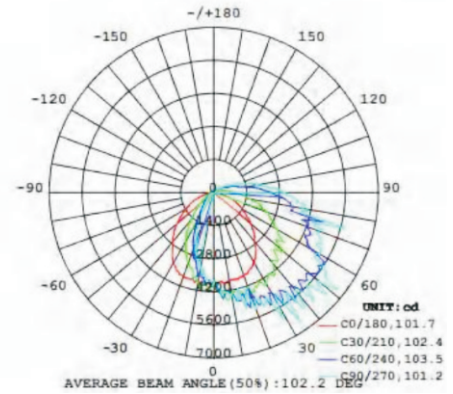
| Power | Outer box (L*W*H) | Qty/Ctn (pcs) | Net weight (kg/lbs) | Gorss weight (kg/lbs) |
|-------|------------------------------------|---------------|---------------------|-----------------------|
| | | 1 | 9.39/4.26 | 10.69/4.85 |
| 80W | 14.76"X13.19"X9.65" 375X335X245 | 1 | 9.39/4.26 | 10.69/4.85 |
| 100W | | 1 | 10.05/4.56 | 11.35/5.14 |

APPLICATIONS



Optical Properties

LUMINOUS INTENSITY DISTRIBUTION DIAGRAM



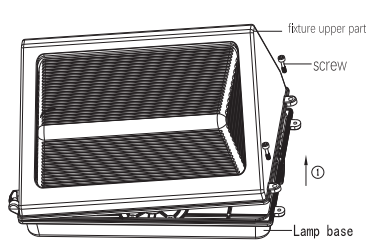
NOTE

1. Using the standard working voltage: AC120~277V, 50/60Hz, do not exceed
2. Be sure the power supply is turned off before installation.
3. Switch off power of the mains supply or the connection lead respectively before doing any works.
4. Please note waterproof, dustproof, electricity prevention and shockproof for the external power wires.
5. Directly fix bolts on the installation stem through the hole on the mounting bracket.
6. Be sure the connection between the wires is in good condition when install the lamps, beware of leakage.
7. Please read the specification carefully before installation.
8. The complete installation must be handled by an electrical expert

INSTALLATION INSTRUCTION

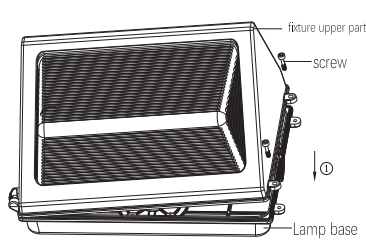
1. Instructions for Wattage Selectable 2nd Gen. WallPackwithglasscover(withPre-builtPhotocell).

1. Unscrew with a screwdriver to remove the fixture upper part.



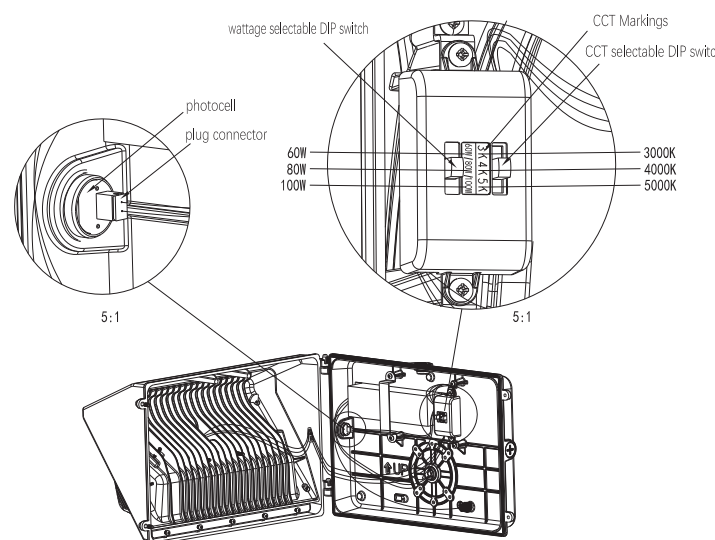
Labels: fixture upper part, screw, Lamp base

3. After selecting the CCT and wattage, lock the upper part by tightening screws into bottom case for the end.



Labels: fixture upper part, screw, Lamp base

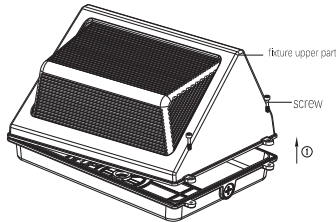
2. Open the bottom case, set up CCT and wattage through internal DIP switches according to the markings, the default CCT position (centre) is 4000K, dial up to 3000K, dial down to 5000K, dial centre to 4000K; The default wattage position (centre) is 80W, dial up to 60W, dial down to 100W, dial centre to 80W. Users can dial to positions of required CCT and wattage.



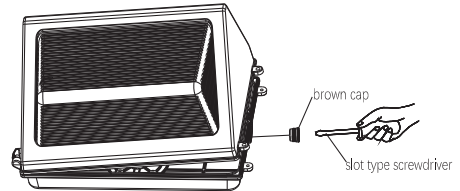
Labels: wattage selectable DIP switch, CCT Markings, CCT selectable DIP switch, photocell, plug connector, 60W, 80W, 100W, 3000K, 4000K, 5000K

**2. Instructions for Wattage Selectable 2nd Gen.
WallPackwith glass cover (with DIY Photocell).**

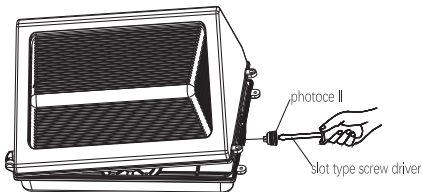
1. Unscrew with a screwdriver to remove the fixture upper part.



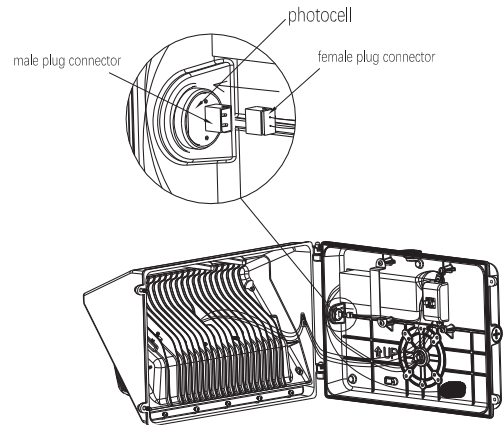
2. Unscrew the brown cap in the side of base with a slot type screwdriver.



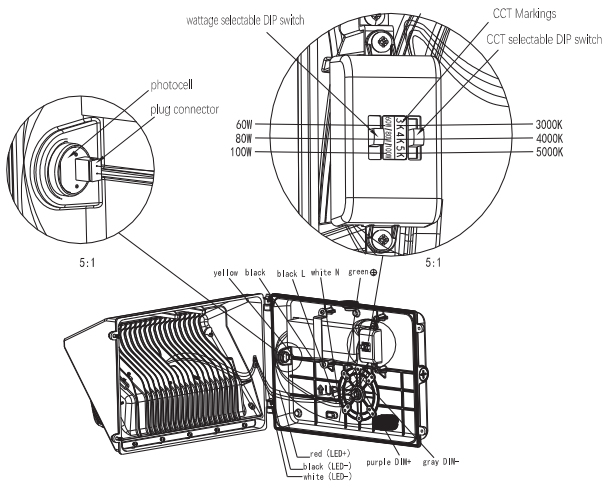
3. Screw transparent photocell into the side of base with a slot type screwdriver.



4. Open the bottom case; insert the male plug connector from driver to photocell's mating connector.



5. After connecting the light sensor, set the CCT and power value through the internal dial switch (internal DIP switches). According to the label, the default color temperature switch is 4000K, dial upward to 3000K, dial downward to 5000K, and dial to 4000K in the middle. The default power switch is 80W, dial upward to position 60W, dial downward to 100W, and dial to 80W in the middle; users can dial to the desired CCT and power value.



6. After selecting the CCT and wattage, lock the upper part by tightening screws into bottom case for the end.

