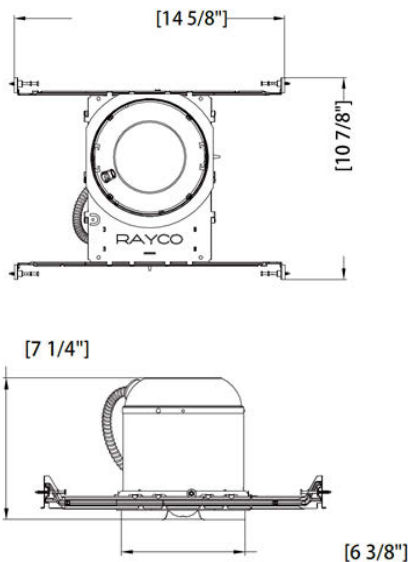


## H6-ICAT-NC

### DESCRIPTION

The 6-inch LED recessed housing for new construction is a durable and energy-efficient fixture designed for IC-rated applications, meaning it is safe for direct contact with insulation. Built for new construction installations, this housing ensures a secure fit and seamless integration with most 6-inch LED retrofit trims. Its airtight design helps reduce energy loss, improving overall efficiency. UL listed, it meets rigorous safety and performance standards, making it an excellent choice for both residential and commercial projects. With its sturdy galvanized steel construction and easy-install features, this recessed housing provides long-lasting reliability for modern lighting solutions.



- SIZE: 14 5/8" L.x 10 7/8" W. x 7 1/4" H.
- Ceiling cut hole size: 6 3/8" / 162mm.
- J-BOX is listed for through-branch circuit wiring.
- For ceiling installation only.
- IC & Airtight Rated Wet Location
- Can be completely covered by thermal insulation
- Unit can be installed onto a drop ceiling with T-bar grid in place
- UL listed , CA Title24 Compliant

### FEATURES

- J-BOX is listed for through-branch circuit wiring(4in-4out).
- Maximum Of (4) No.12 AWG branch circuit conductors.
- 90+ CRI, superior color rendering performance
- Smooth Trim

### DIMMING

Triac dimmable down to 5%. Compatible with most major brands of dimmers.

### WARRANTY

5 years manufacturer warranty, consult factory for more details.

### CONSTRUCTION

Pre-installed nails for easier installs in lumber and woods with extendable hanger bar

### JUNCTION BOX

Quick wiring connectors included for easier wiring, no wiring nuts and electrical tap needed

### LISTING

UL Listed. California JA8. Title24.

